

INDOOR UNIT

PARTS CATALOG

No. TBB238
REVISED EDITION-A

Models

MSZ-EX09NLW - U1

MSZ-EX15NLW - U1

MSZ-EX09NLB - U1

MSZ-EX15NLB - U1

MSZ-EX09NLS - U1

MSZ-EX15NLS - U1

MSZ-EX12NLW - U1

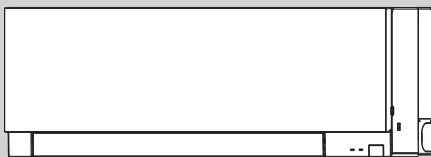
MSZ-EX18NLW - U1

MSZ-EX12NLB - U1

MSZ-EX18NLB - U1

MSZ-EX12NLS - U1

MSZ-EX18NLS - U1



CONTENTS

- 1. SERVICE PARTS LIST 2
- 2. OPTIONAL PARTS 7

SERVICE MANUAL (TBH238)

Revision A:

• 2. OPTIONAL PARTS details have been changed.

1 SERVICE PARTS LIST

MSZ-EX09NLW - U1

MSZ-EX12NLW - U1

MSZ-EX15NLW - U1

MSZ-EX18NLW - U1

MSZ-EX09NLB - U1

MSZ-EX12NLB - U1

MSZ-EX15NLB - U1

MSZ-EX18NLB - U1

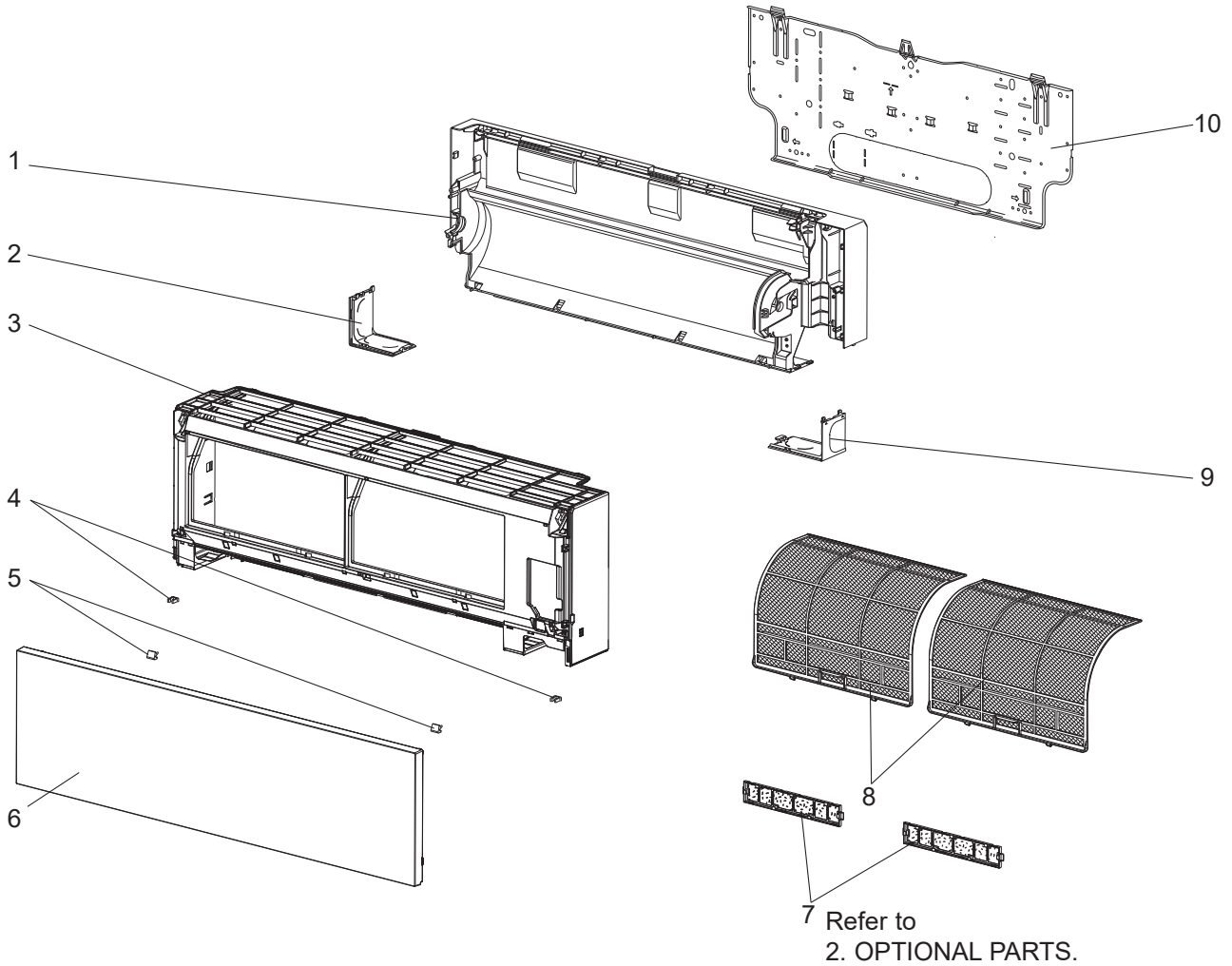
MSZ-EX09NLS - U1

MSZ-EX12NLS - U1

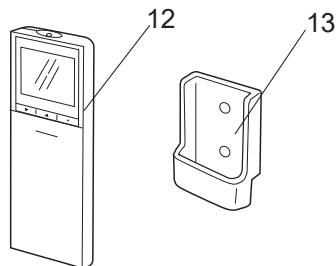
MSZ-EX15NLS - U1

MSZ-EX18NLS - U1

1-1. INDOOR UNIT STRUCTURAL PARTS



1-2. ACCESSORY AND REMOTE CONTROLLER



1-1. INDOOR UNIT STRUCTURAL PARTS

1. The part quantity below indicates the required number of pieces per unit.
2. The circled No. indicates that the part is not shown in the figure.

No.	Part No.	Part name	MSZ-EX09NLW- ^{U1}	MSZ-EX09NLB- ^{U1}	MSZ-EX09NLS- ^{U1}	MSZ-EX12NLW- ^{U1}	MSZ-EX12NLB- ^{U1}	MSZ-EX12NLS- ^{U1}	MSZ-EX15NLW- ^{U1}	MSZ-EX15NLB- ^{U1}	MSZ-EX15NLS- ^{U1}	MSZ-EX18NLW- ^{U1}	MSZ-EX18NLB- ^{U1}	MSZ-EX18NLS- ^{U1}	Symbol in Wiring Diagram	Remarks
1	E22 1E0 234	BOX ASSEMBLY	1			1			1			1				
	E22 1E1 234	BOX ASSEMBLY		1			1			1			1			
	E22 1E2 234	BOX ASSEMBLY			1			1			1			1		
2	E22 1E0 976	CORNER BOX LEFT	1			1			1			1				
	E22 T25 976	CORNER BOX LEFT		1			1			1			1			
	E22 T29 976	CORNER BOX LEFT			1			1			1			1		
3	E22 1E0 000	PANEL ASSEMBLY	1			1			1			1				Includes No. 4, 5 and 6
	E22 1E1 000	PANEL ASSEMBLY		1			1			1			1			Includes No. 4, 5 and 6
	E22 1E2 000	PANEL ASSEMBLY			1			1			1			1		Includes No. 4, 5 and 6
4	E22 F95 142	CATCH	2	2	2	2	2	2	2	2	2	2	2	2		2 PCS/SET
5	E22 16H 067	SCREW CAP	2			2			2			2				2 PCS/SET
	E22 G21 067	SCREW CAP		2			2			2			2			2 PCS/SET
	E22 G26 067	SCREW CAP			2			2			2			2		2 PCS/SET
6	E22 16H 010	FRONT PANEL	1			1			1			1				
	E22 T25 010	FRONT PANEL		1			1			1			1			
	E22 T29 010	FRONT PANEL			1			1			1			1		
7	—	AIR CLEANING FILTER	2	2	2	2	2	2	2	2	2	2	2	2		1 PC/SET
8	E22 1E0 100	ANTI VIRUS FILTER	2	2	2	2	2	2	2	2	2	2	2	2		1 PC/SET
9	E22 1E0 975	CORNER BOX RIGHT	1			1			1			1				
	E22 T25 975	CORNER BOX RIGHT		1			1			1			1			
	E22 T29 975	CORNER BOX RIGHT			1			1			1			1		
10	E22 F95 970	INSTALLATION PLATE	1	1	1	1	1	1	1	1	1	1	1	1		
⑪	—	SOFT DRY CLOTH		1			1			1			1			MAC-1001CL-E

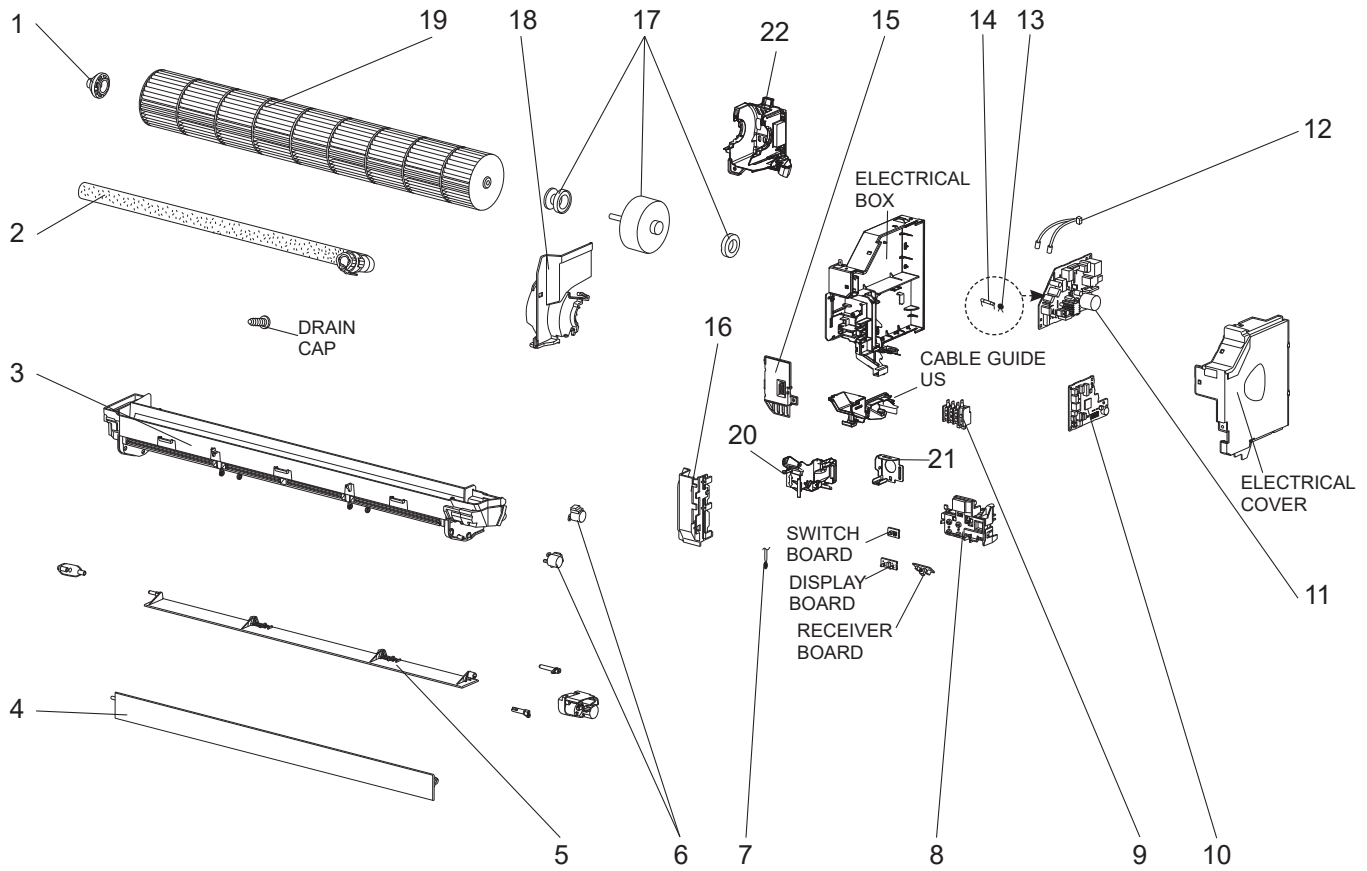
1-2. ACCESSORY AND REMOTE CONTROLLER

1. The part quantity below indicates the required number of pieces per unit.

No.	Part No.	Part name	MSZ-EX09NLW- ^{U1}	MSZ-EX09NLB- ^{U1}	MSZ-EX09NLS- ^{U1}	MSZ-EX12NLW- ^{U1}	MSZ-EX12NLB- ^{U1}	MSZ-EX12NLS- ^{U1}	MSZ-EX15NLW- ^{U1}	MSZ-EX15NLB- ^{U1}	MSZ-EX15NLS- ^{U1}	MSZ-EX18NLW- ^{U1}	MSZ-EX18NLB- ^{U1}	MSZ-EX18NLS- ^{U1}	Symbol in Wiring Diagram	Remarks
12	E22 1E0 426	REMOTE CONTROLLER	1	1	1	1	1	1	1	1	1	1	1	1		SH23C
13	E22 41G 083	REMOTE CONTROLLER HOLDER	1	1	1	1	1	1	1	1	1	1	1	1		

MSZ-EX09NLW - U1 **MSZ-EX12NLW - U1** **MSZ-EX15NLW - U1** **MSZ-EX18NLW - U1**
MSZ-EX09NLB - U1 **MSZ-EX12NLB - U1** **MSZ-EX15NLB - U1** **MSZ-EX18NLB - U1**
MSZ-EX09NLS - U1 **MSZ-EX12NLS - U1** **MSZ-EX15NLS - U1** **MSZ-EX18NLS - U1**

1-3. INDOOR UNIT ELECTRICAL PARTS AND FUNCTIONAL PARTS



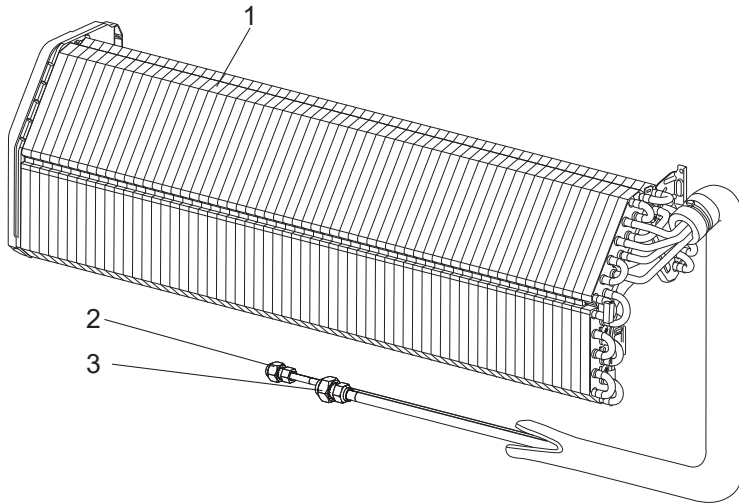
1-3. INDOOR UNIT ELECTRICAL PARTS AND FUNCTIONAL PARTS

1. The part quantity below indicates the required number of pieces per unit.

No.	Part No.	Part name	MSZ-EX09NLW-U1	MSZ-EX09NLB-U1	MSZ-EX09NLS-U1	MSZ-EX12NLW-U1	MSZ-EX12NLB-U1	MSZ-EX12NLS-U1	MSZ-EX15NLW-U1	MSZ-EX15NLB-U1	MSZ-EX15NLS-U1	MSZ-EX18NLW-U1	MSZ-EX18NLB-U1	MSZ-EX18NLS-U1	Symbol in Wiring Diagram	Remarks
1	E22 A89 509	BEARING MOUNT ASSEMBLY	1	1	1	1	1	1	1	1	1	1	1	1		Includes SLEEVE BEARING
2	E22 P72 702	DRAIN HOSE	1	1	1	1	1	1	1	1	1	1	1	1		
3	E22 1E0 235	NOZZLE ASSEMBLY	1			1			1			1				
	E22 1E1 235	NOZZLE ASSEMBLY		1			1			1			1			
	E22 1E2 235	NOZZLE ASSEMBLY			1			1			1			1		
4	E22 16H 040	VANE UPPER	1			1			1			1				
	E22 G21 040	VANE UPPER		1			1			1			1			
	E22 G26 040	VANE UPPER			1			1			1			1		
5	E22 16H 041	VANE LOWER	1			1			1			1				
	E22 G21 041	VANE LOWER		1			1			1			1			
	E22 G26 041	VANE LOWER			1			1			1			1		
6	E22 94B 303	VANE MOTOR	2	2	2	2	2	2	2	2	2	2	2	2	MV	UP & DOWN, 1 PC/SET
7	E22 F95 308	ROOM TEMPERATURE THERMISTOR	1	1	1	1	1	1	1	1	1	1	1	1	RT11	
8	E22 F95 095	DISPLAY P.C. BOARD HOLDER	1	1	1	1	1	1	1	1	1	1	1	1		
9	E22 7C3 375	TERMINAL BLOCK	1	1	1	1	1	1	1	1	1	1	1	1	TB	
10	E22 4H6 452	ELECTRONIC CONTROL P.C. BOARD	1	1	1											Includes RECEIVER BOARD, DISPLAY BOARD and SWITCH BOARD.
	E22 4H7 452	ELECTRONIC CONTROL P.C. BOARD				1	1	1								
	E22 4H8 452	ELECTRONIC CONTROL P.C. BOARD							1	1	1					
	E22 4H9 452	ELECTRONIC CONTROL P.C. BOARD										1	1	1		
11	E22 1E0 440	POWER P.C. BOARD	1	1	1	1	1	1	1	1	1	1	1	1		
12	E22 F95 307	INDOOR COIL THERMISTOR	1	1	1	1	1	1	1	1	1	1	1	1	RT12, RT13	
13	E22 B75 385	VARIATOR	1	1	1	1	1	1	1	1	1	1	1	1	NR11	
14	E22 A49 382	FUSE	1	1	1	1	1	1	1	1	1	1	1	1	F11	T3.15AL250V
15	E22 L85 784	V.A. CLAMP	1	1	1	1	1	1	1	1	1	1	1	1		
16	E22 45L 541	WATER CUT	1	1	1	1	1	1	1	1	1	1	1	1		
17	E22 J44 300	INDOOR FAN MOTOR	1	1	1	1	1	1	1	1	1	1	1	1	MF	RC0J30-□□, Includes FAN MOTOR RUBBER MOUNT (2 PCS/SET)
18	E22 F95 333	MOTOR BAND	1	1	1	1	1	1	1	1	1	1	1	1		
19	E22 1E0 302	LINE FLOW FAN	1	1	1	1	1	1	1	1	1	1	1	1		
20	E22 T21 979	CONDUIT COVER	1	1	1	1	1	1	1	1	1	1	1	1		
21	E22 T21 978	CONDUIT PLATE	1	1	1	1	1	1	1	1	1	1	1	1		
22	E22 1E0 333	MOTOR BED	1	1	1	1	1	1	1	1	1	1	1	1		

MSZ-EX09NLW - U1 MSZ-EX12NLW - U1 MSZ-EX15NLW - U1 MSZ-EX18NLW - U1
 MSZ-EX09NLB - U1 MSZ-EX12NLB - U1 MSZ-EX15NLB - U1 MSZ-EX18NLB - U1
 MSZ-EX09NLS - U1 MSZ-EX12NLS - U1 MSZ-EX15NLS - U1 MSZ-EX18NLS - U1

1-4. INDOOR UNIT HEAT EXCHANGER



1-4. INDOOR UNIT HEAT EXCHANGER

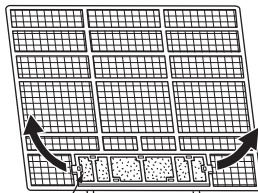
1. The part quantity below indicates the required number of pieces per unit.

No.	Part No.	Part name	MSZ-EX09NLW-	MSZ-EX09NLB-	MSZ-EX09NLS-	MSZ-EX12NLW-	MSZ-EX12NLB-	MSZ-EX12NLS-	MSZ-EX15NLW-	MSZ-EX15NLB-	MSZ-EX15NLS-	MSZ-EX18NLW-	MSZ-EX18NLB-	MSZ-EX18NLS-	Symbol in Wiring Diagram	Remarks
			U1	U1	U1	U1	U1	U1	U1	U1	U1	U1	U1	U1		
1	E22 1E0 620	INDOOR HEAT EXCHANGER	1	1	1	1	1	1								
	E22 1E6 620	INDOOR HEAT EXCHANGER							1	1	1	1	1	1		
2	E22 151 667	UNION (LIQUID)	1	1	1	1	1	1	1	1	1	1	1	1		ø1/4 (ø6.35)
3	E22 815 666	UNION (GAS)	1	1	1	1	1	1								ø3/8 (ø9.52)
	E22 155 666	UNION (GAS)							1	1	1	1	1	1		ø1/2 (ø12.7)

2. AIR CLEANING FILTER

Air cleaning filter replacement

Pull to remove from the air filter



Air cleaning filter

2-1. MICROPARTICLE CATCHING FILTER

Removes the microparticles from the air by means of static electricity.

Back side of air filter

Clean every 3 months:

- Remove dirt by a vacuum cleaner.
- Put it back to its original position, and install all tabs of the air cleaning filter.
- Do not wash it with water. Replace it with a new air cleaning filter when tobacco tar or oil stains adhere to it.

Every 3 year:

- Replace it with a new air cleaning filter for best performance.

Model				Part No.
MSZ-EX09NLW	MSZ-EX12NLW	MSZ-EX15NLW	MSZ-EX18NLW	MAC-EMF515FT-E
MSZ-EX09NLB	MSZ-EX12NLB	MSZ-EX15NLB	MSZ-EX18NLB	
MSZ-EX09NLS	MSZ-EX12NLS	MSZ-EX15NLS	MSZ-EX18NLS	

2-2. ELECTROSTATIC ANTI-ALLERGY ENZYME FILTER (BLUE)

Every 3 months:

- Remove dirt by a vacuum cleaner.

When dirt cannot be removed by vacuum cleaning:

- Soak the filter and its frame in lukewarm water before rinsing it.
- After washing, dry it well in shade. Install all tabs of the air filter.

Every year:

- Replace it with a new air cleaning filter for best performance.

Model				Part No.
MSZ-EX09NLW	MSZ-EX12NLW	MSZ-EX15NLW	MSZ-EX18NLW	MAC-2320FT
MSZ-EX09NLB	MSZ-EX12NLB	MSZ-EX15NLB	MSZ-EX18NLB	
MSZ-EX09NLS	MSZ-EX12NLS	MSZ-EX15NLS	MSZ-EX18NLS	

NOTE 1: Clean the filters regularly for best performance and to reduce power consumption.

NOTE 2: Dirty filters cause condensation in the air conditioner which will contribute to the growth of fungi such as mold. It is therefore recommended to clean air filters every 2 weeks.

2-3. SOFT DRY CLOTH

- Clean the panel with the soft dry cloth when it is dirty.

Model				Part No.
MSZ-EX09NLW	MSZ-EX12NLW	MSZ-EX15NLW	MSZ-EX18NLW	MAC-1001CL-E
MSZ-EX09NLS	MSZ-EX12NLS	MSZ-EX15NLS	MSZ-EX18NLS	

mitsubishi electric corporation

HEAD OFFICE: TOKYO BUILDING, 2-7-3, MARUNOUCHI, CHIYODA-KU, TOKYO 100-8310, JAPAN

MITSUBISHI ELECTRIC CONSUMER PRODUCTS (THAILAND) CO., LTD.
700/406 MOO 7, TAMBON DON HUA ROH,
AMPHUR MUANG, CHONBURI 20000 THAILAND
Issued: Jan. 2025. No. TBB238 REVISED EDITION-A
Published: Sep. 2024. No. TBB238
Made in Thailand

Specifications are subject to change without notice.