

SERVICE PARTS LIST FOR MITSUBISHI ELECTRIC PACKAGED AIR-CONDITIONERS

Series : SEZ-AD•NL-U1

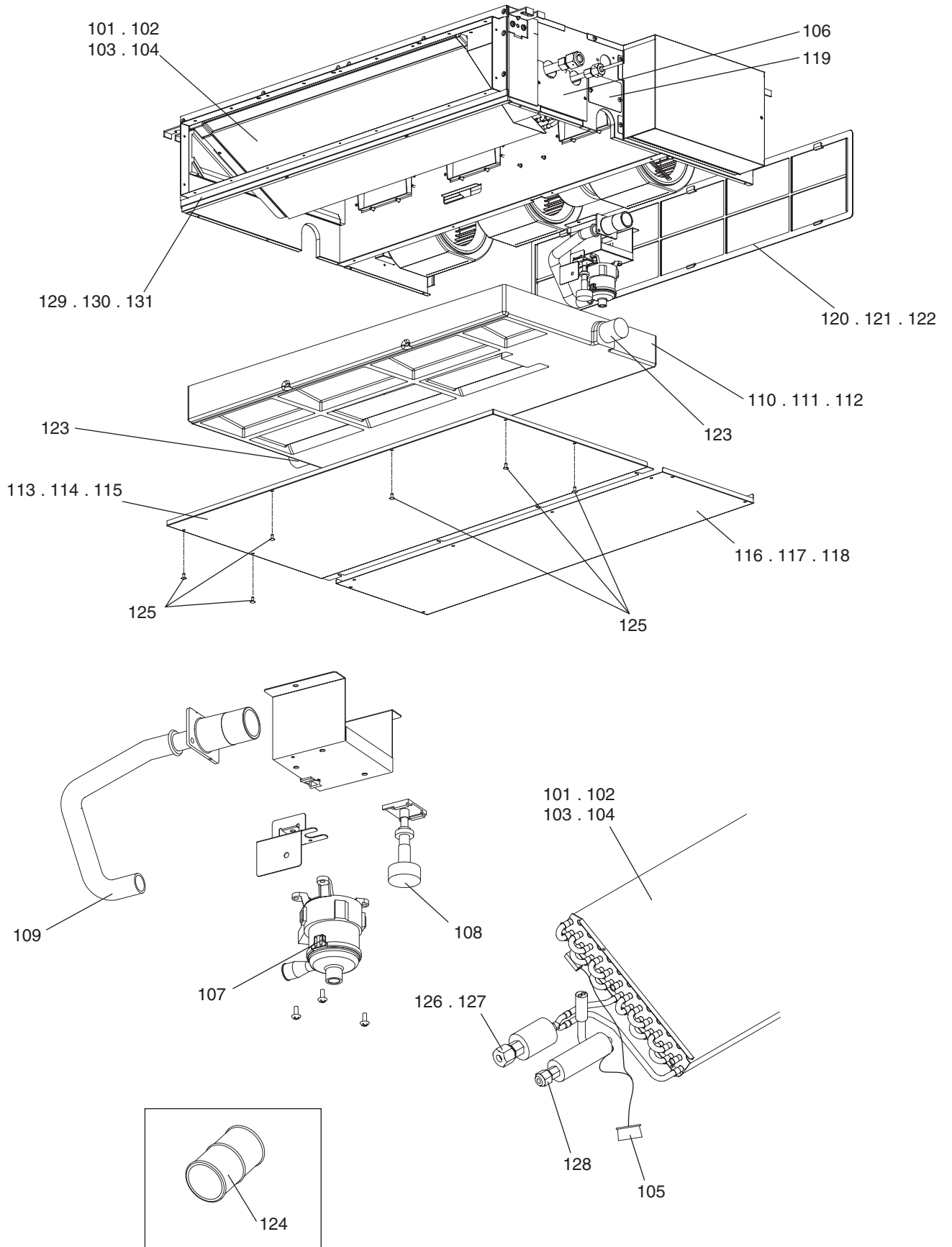
Oct. 2024

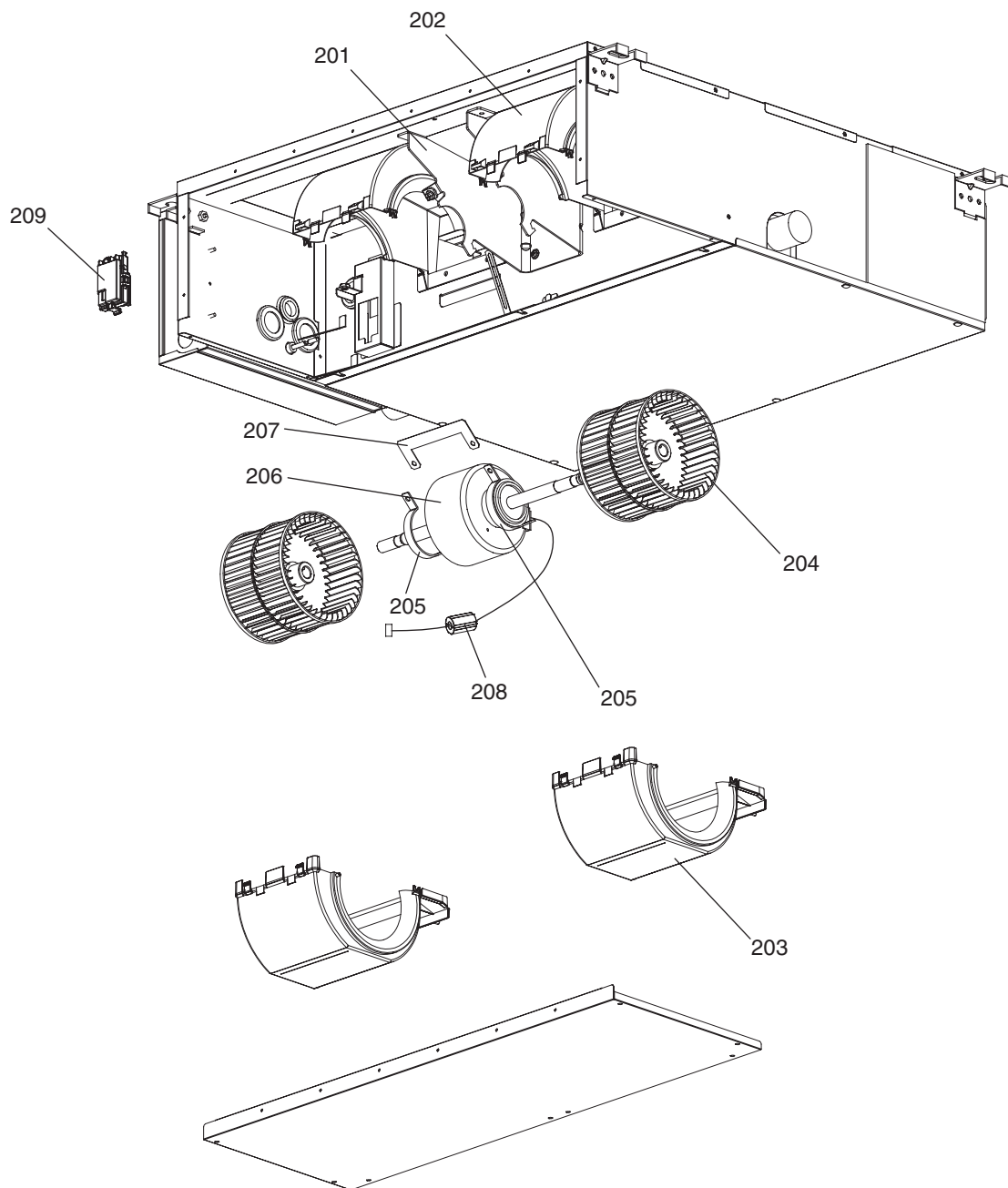
BWE024100

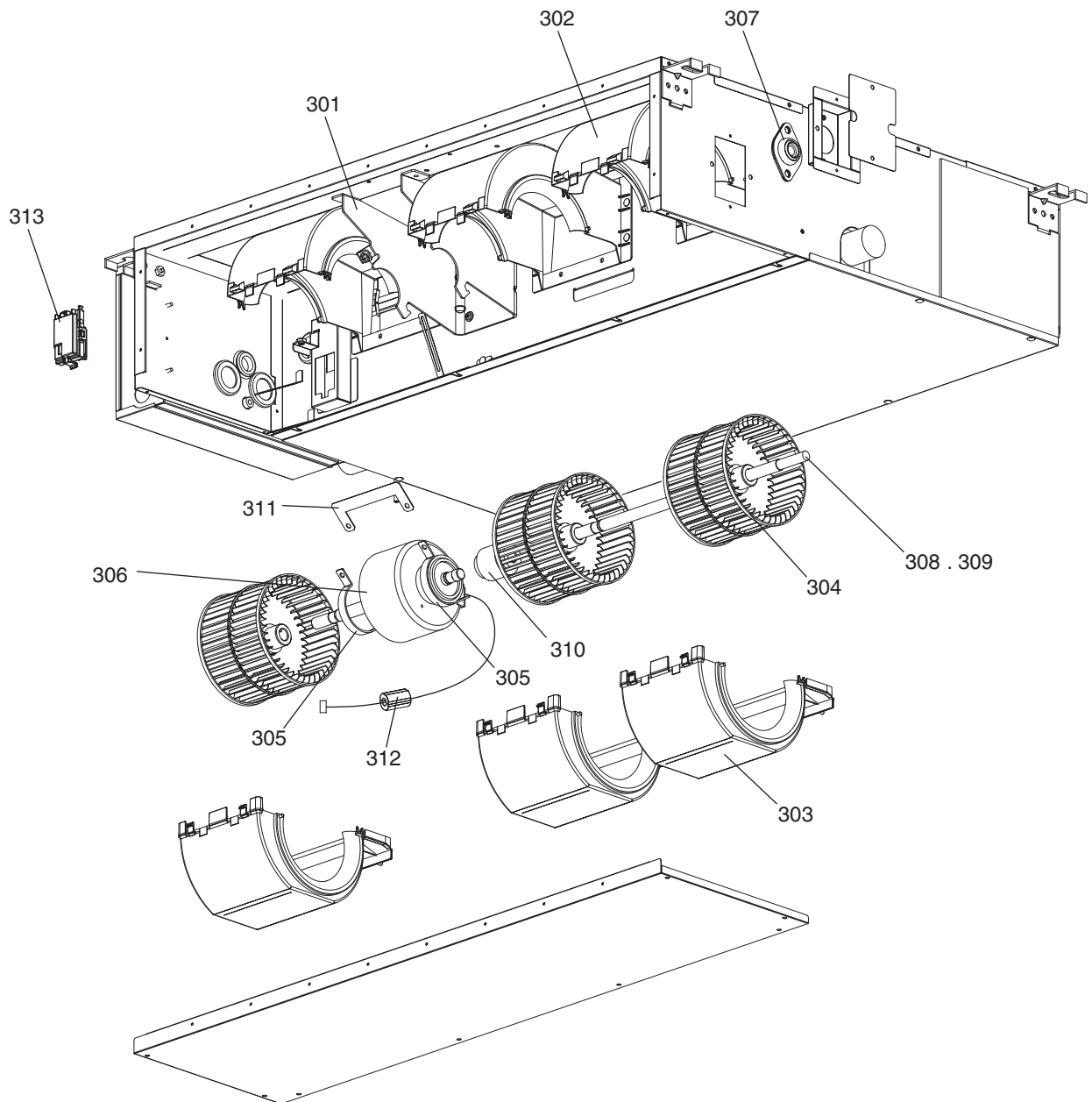
INDEX
SEZ-AD09NL-U1
SEZ-AD12NL-U1
SEZ-AD15NL-U1
SEZ-AD18NL-U1

SEZ-AD09,AD12NL-U1
SEZ-AD15,AD18NL-U1

EXTERNAL PARTS

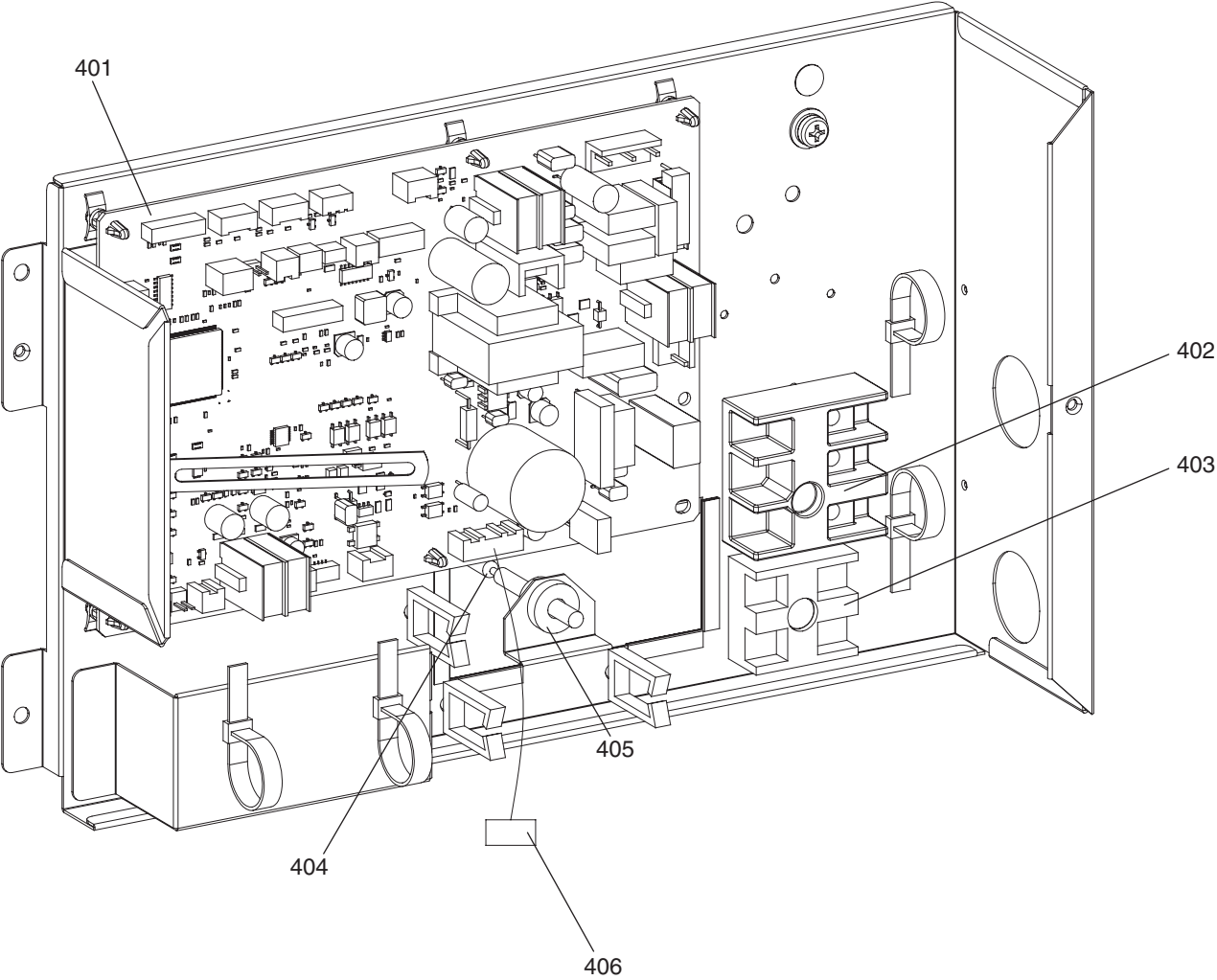


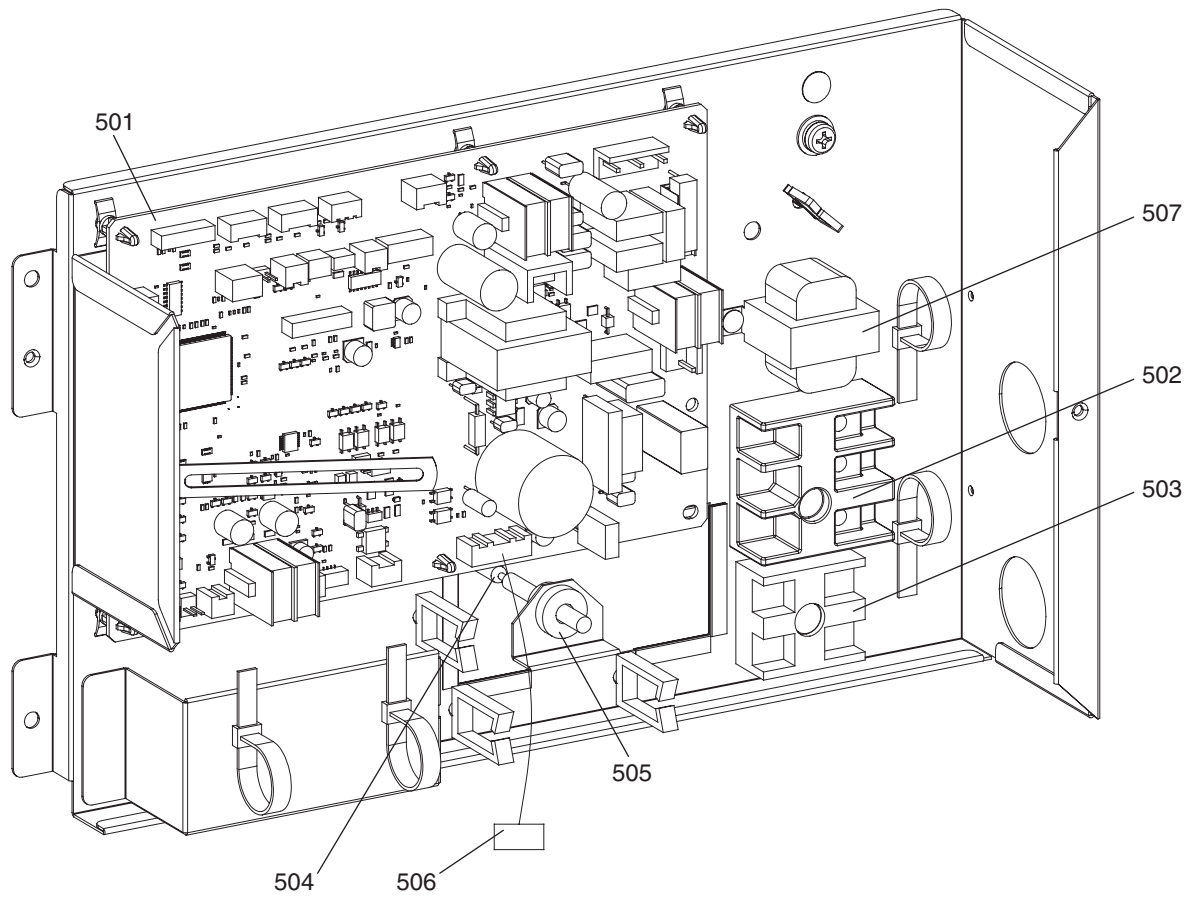




SEZ-AD09NL-U1
SEZ-AD12NL-U1

CONTROL BOX PARTS (1)





mitsubishi
electric
corporation

BWE024100 (20241031)