



P-SERIES

Air Conditioners

PVA-AA12, 18, 24, 30, 36, 42, 48, 60NL*

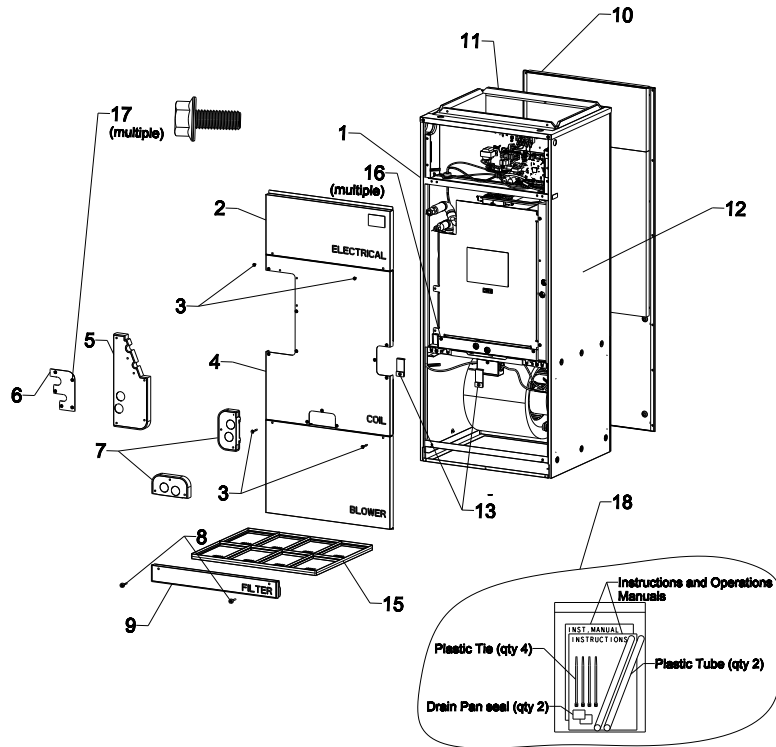
SERVICE PARTS MANUAL

For use with R454B

Table of Contents

1. EXTERNAL PARTS	3
2. HEX ASSEMBLY PARTS	4
3. BLOWER PARTS	5
4. CONTROL BOX PARTS	7

1. EXTERNAL PARTS

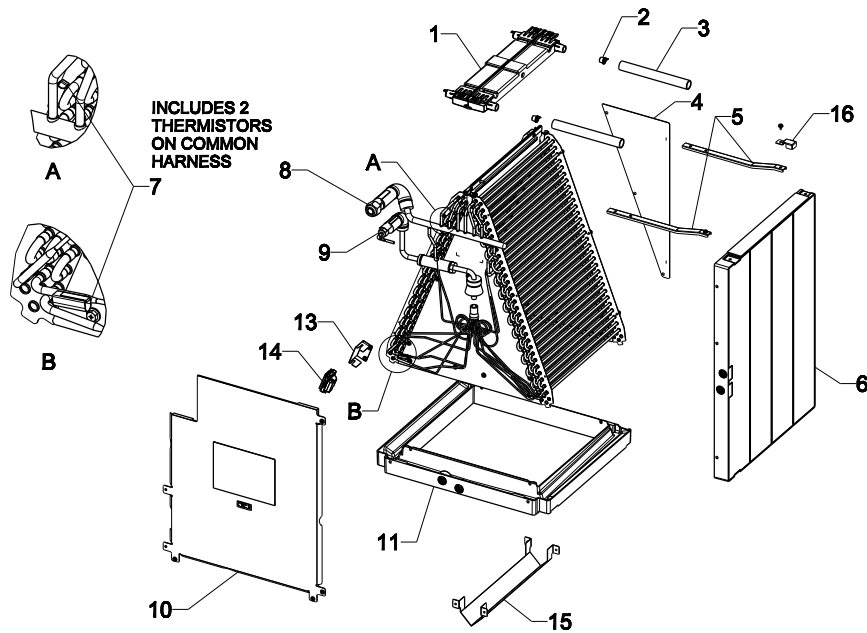


No.	Service Part No.	Part Name	Symbol in Wiring Diagram	Quantity per unit						Remarks		
				PVA-AA								
				12NL	18NL	24NL	30NL	36NL	42, 48NL	60NL		
1	U41 B03 641	CABINET LEFT S*	CN20	1	1							
	U41 B02 641	CABINET LEFT M*				1	1					
	U41 B01 641	CABINET LEFT L*						1	1	1	1	
2	U41 B01 638	FRONT PANEL ELECTRICAL S		1	1							
	U41 B02 638	FRONT PANEL ELECTRICAL M				1	1					
	U41 B03 638	FRONT PANEL ELECTRICAL L						1	1	1		
3	U41 002 087	SCREW MSX40		4	4	4	4	4	4	4		
	U41 B01 639	FRONT PANEL HEX S		1	1							
	U41 B02 639	FRONT PANEL HEX M				1	1					
4	U41 B03 639	FRONT PANEL HEX L						1	1	1		
	U41 B01 635	PIPE/DRAIN PANEL S		1	1							
	U41 B02 635	PIPE/DRAIN PANEL M				1	1					
5	U41 B03 635	PIPE/DRAIN PANEL L						1	1	1		
	U41 B04 635	PIPE PANEL		1	1	1	1	1	1	1		
	U41 B05 635	DRAIN PANEL		2	2	2	2	2	2	2		
8	U41 001 087	PLASTIC THUMBSCREW		2	2	2	2	2	2	2		MSX35
	U41 B01 636	FRONT PANEL FILTER S		1	1							
	U41 B02 636	FRONT PANEL FILTER M				1	1					
9	U41 B03 636	FRONT PANEL FILTER L						1	1	1		
	U41 B03 640	CABINET BACK S		1	1							
	U41 B02 640	CABINET BACK M				1	1					
10	U41 B01 640	CABINET BACK L						1	1	1		
	U41 B03 643	TOP PANEL S		1	1							
	U41 B02 643	TOP PANEL M				1	1					
11	U41 B01 643	TOP PANEL L						1	1	1		
	U61 004 232	CABINET RIGHT S**		1	1							
	U61 005 232	CABINET RIGHT M**				1	1					
12	U61 006 232	CABINET RIGHT L**						1	1			
	U61 007 232	CABINET RIGHT XL**								1		
	U41 001 086	COIL BRACKET		1	1	2	2	2	2	2		
14	U41 B01 637	FRONT PANEL BLOWER S		1	1							
	U41 B02 637	FRONT PANEL BLOWER M				1	1					
	U41 B03 637	FRONT PANEL BLOWER L						1	1	1		
15	U41 004 500	FILTER-PLASTIC S		1	1							16X20
	U41 005 500	FILTER-PLASTIC M				1	1					20X20
	U41 006 500	FILTER-PLASTIC L						1	1	1		24X20
16	U41 008 087	SCREW H 5X10 KNURLED (10 pack)		46	46	46	46	46	46	46		pack of 10 screws
	U41 009 087	SCREW MSX12 BLACK (10 pack)		52	52	52	52	52	52	52		pack of 10 screws
18	U61 003 668	ACCESSORY BAG		1	1	1	1	1	1	1		

* The return air thermistor adapter harness is pre-installed in the Cabinet Left panel. See Blower Parts section for Thermistor. See Control Box Parts for adapter harness kit.

** The motor harness is pre-installed in the Cabinet Right panel.

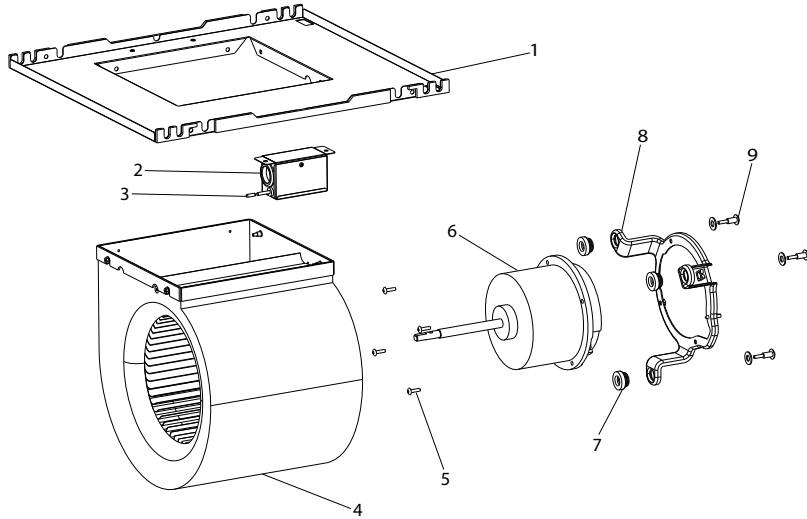
2. HEX ASSEMBLY PARTS



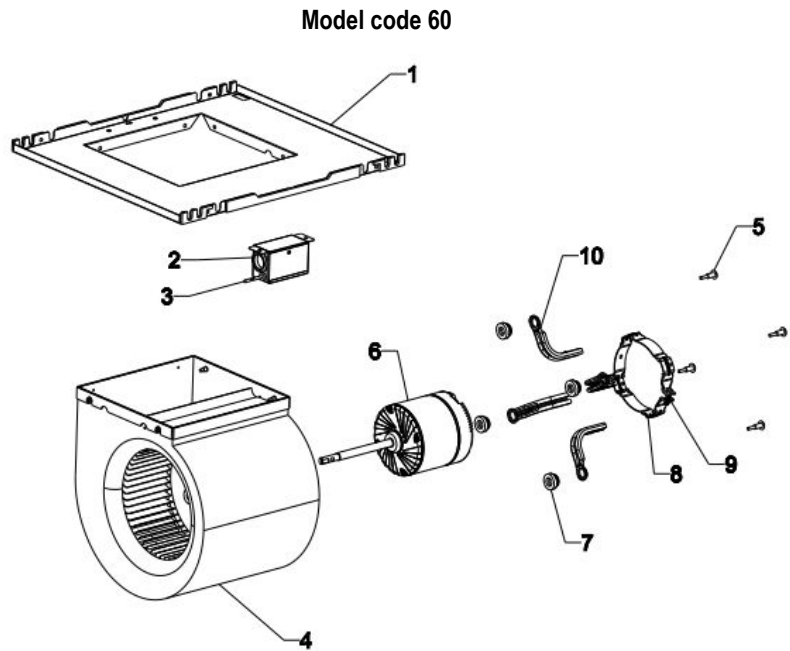
No.	Service Part No.	Part Name	Symbol in Wiring Diagram	Quantity per unit							Remarks
				PVA-AA							
				12NL	18NL	24NL	30NL	36NL	42, 48NL	60NL	
1	U41 012 529	DRAIN PAN ASSY TOP		2	2	2	2	2	2	2	
2	U41 002 558	PLUG-TOP DRAIN PAN		4	4	4	4	4	4	4	
3	U41 001 525	HOSE-TOP DRAIN PAN		2	2	2	2	2	2	2	
4	U41 001 668	PLATE GUIDE REAR S		1	1						
	U41 002 668	PLATE GUIDE REAR M				1	1				
	U41 003 668	PLATE GUIDE REAR L						1	1	1	
5	U41 001 662	SIDE PAN BRACKET S		1	1						
	U41 002 662	SIDE PAN BRACKET M				2	2				
	U41 003 662	SIDE PAN BRACKET L						2	2	2	
6	U41 009 529	DRAIN PAN ASSY SIDE S		1	1						
	U41 010 529	DRAIN PAN ASSY SIDE M				1	1				
	U41 011 529	DRAIN PAN ASSY SIDE L						1	1	1	
7	U41 003 200	THERMISTOR LIQUID/GAS PIPE SENSOR ASSY	CN44	1	1						TH2/TH5
	U41 004 200	THERMISTOR LIQUID/GAS PIPE SENSOR ASSY				1	1				
	U41 005 200	THERMISTOR LIQUID/GAS PIPE SENSOR ASSY						1	1	1	
8	U61 003 122	NUT FLARE 1/2		1	1						
	U61 004 122	NUT FLARE 5/8				1	1	1	1	1	
9	U61 002 122	NUT FLARE 1/4		1	1						
	U61 001 122	NUT FLARE 3/8				1	1	1	1	1	
10	U61 001 668	PLATE GUIDE FRONT S		1	1						
	U61 002 668	PLATE GUIDE FRONT M				1	1				
	U61 005 668	PLATE GUIDE FRONT L						1	1	1	
11	U41 006 529	DRAIN PAN ASSY LOWER S		1	1						
	U41 007 529	DRAIN PAN ASSY LOWER M				1	1				
	U41 008 529	DRAIN PAN ASSY LOWER L						1	1	1	
12	U61 006 480	HEAT EXCHANGER AA S		1	1						Includes all hex parts
	U61 007 480	HEAT EXCHANGER AA M				1	1				
	U61 008 480	HEAT EXCHANGER AA L						1	1		
	U61 009 480	HEAT EXCHANGER AA XL								1	
13	U61 001 086	SENSOR BRACKET		1	1	1	1	1	1	1	
14	U61 001 084	A2L SENSOR ASSY		1	1	1	1	1	1	1	Without Lead Wire
15	U61 002 086	AIRFLOW V-BAFFLE									1
16	U61 001 529	DRAIN PAN SPACER									1

3. BLOWER PARTS

Model codes 12, 18, 24, 30, 36, 42, 48



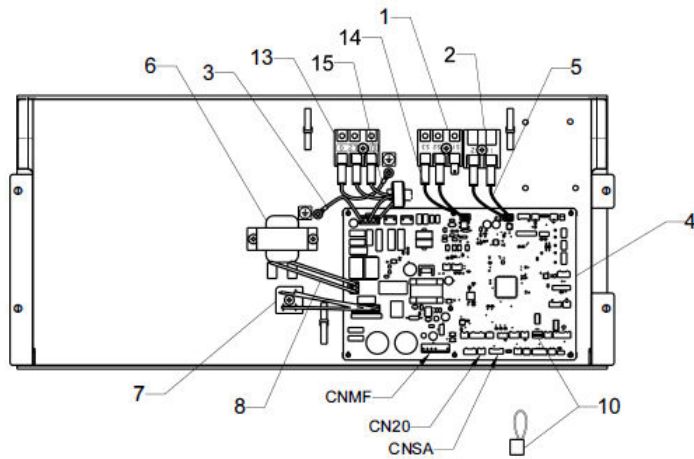
No.	Service Part No.	Part Name	Symbol in Wiring Diagram	Quantity per unit							Remarks
				PVA-AA							
				12NL	18NL	24NL	30NL	36NL	42, 48NL	60NL	
1	U41 015 638	FRAME FAN S		1	1						
	U41 016 638	FRAME FAN M				1	1				
	U41 017 638	FRAME FAN L						1	1	1	
2	U41 002 104	BUSHING SRB-R-2		1	1	1	1	1	1	1	
3	U41 001 287	THERMISTOR RETURN AIR	CN20	1	1	1	1	1	1	1	TH1
4	U41 008 129	FAN CASE S		1	1						
	U41 009 129	FAN CASE M				1	1				
	U41 010 129	FAN CASE L						1	1		
	U41 002 129	FAN CASE XL								1	
5	U41 005 087	BOLT MOTOR (S, M)		4	4	4	4				
	U41 006 087	BOLT MOTOR (L)						4	4	4	
6	U41 003 128	BLOWER MOTOR S		1	1						
	U41 004 128	BLOWER MOTOR M				1	1				
	U41 005 128	BLOWER MOTOR L						1	1		
	U41 005 220	BLOWER MOTOR XL						1	1	1	
7	U41 103 104	RUBBER GROMMET						3	3	4	
8	U41 001 130	MOTOR BRACKET S M		1	1	1	1				
	U41 002 130	MOTOR BRACKET L						1	1		
	U61 001 333	MOTOR BELLY BAND XL								1	
9	U41 003 130	MOTOR BRACKET BOLT KIT		3	3	3	3				
	U41 003 087	SCREW SPECIAL						3	3		
	U41 003 558	BELLY BAND BOLT XL								1	
10	U41 001 130	BLOWER MOTOR BRACKET XL								4	



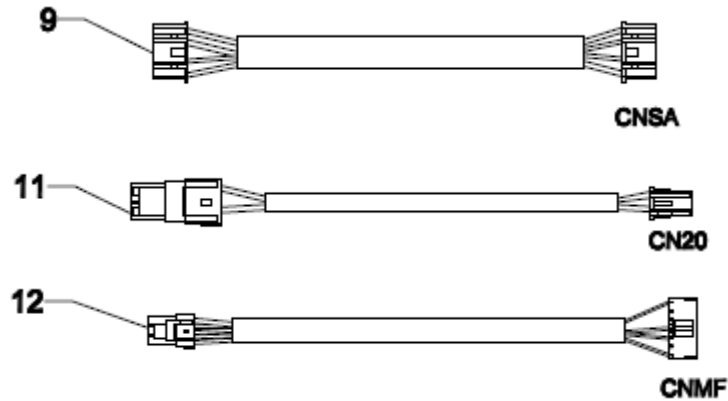
No.	Service Part No.	Part Name	Symbol in Wiring Diagram	Quantity per unit							Remarks
				PVA-AA							
				12NL	18NL	24NL	30NL	36NL	42, 48NL	60NL	
1	U41 015 638	FRAME FAN S		1	1						
	U41 016 638	FRAME FAN M				1	1				
	U41 017 638	FRAME FAN L						1	1	1	
2	U41 002 104	BUSHING SRB-R-2		1	1	1	1	1	1	1	
3	U41 001 287	THERMISTOR RETURN AIR	CN20	1	1	1	1	1	1	1	TH1
4	U41 008 129	FAN CASE S		1	1						
	U41 009 129	FAN CASE M				1	1				
	U41 010 129	FAN CASE L						1	1		
	U41 002 129	FAN CASE XL								1	
5	U41 005 087	BOLT MOTOR (S, M)		4	4	4	4				
	U41 006 087	BOLT MOTOR (L)						4	4	4	
6	U41 003 128	BLOWER MOTOR S		1	1						
	U41 004 128	BLOWER MOTOR M				1	1				
	U41 005 128	BLOWER MOTOR L						1	1		
	U41 005 220	BLOWER MOTOR XL						1	1	1	
7	U41 103 104	RUBBER GROMMET						3	3	4	
8	U41 001 130	MOTOR BRACKET S M		1	1	1	1				
	U41 002 130	MOTOR BRACKET L						1	1		
	U61 001 333	MOTOR BELLY BAND XL								1	
9	U41 003 130	MOTOR BRACKET BOLT KIT		3	3	3	3				
	U41 003 087	SCREW SPECIAL						3	3		
	U41 003 558	BELLY BAND BOLT XL								1	
10	U41 001 130	BLOWER MOTOR BRACKET XL								4	

4. CONTROL BOX PARTS

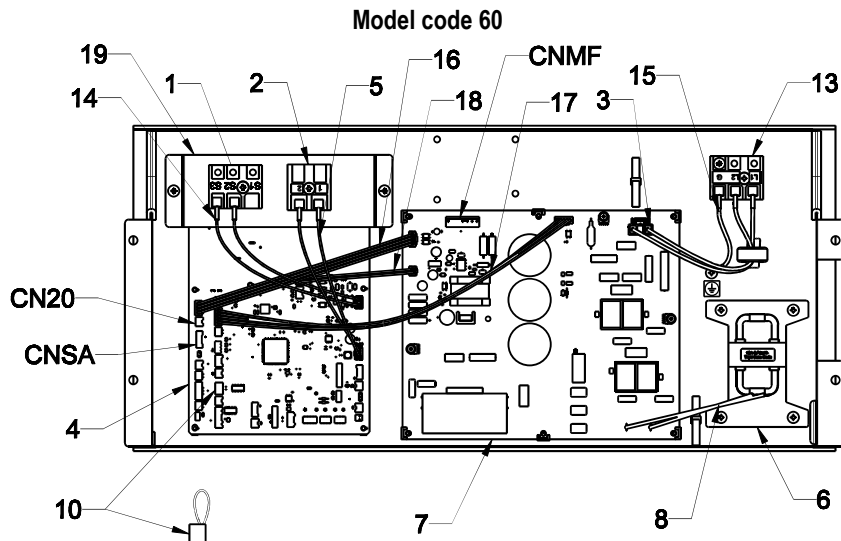
Model code 12, 18, 24, 30, 36, 42, 48



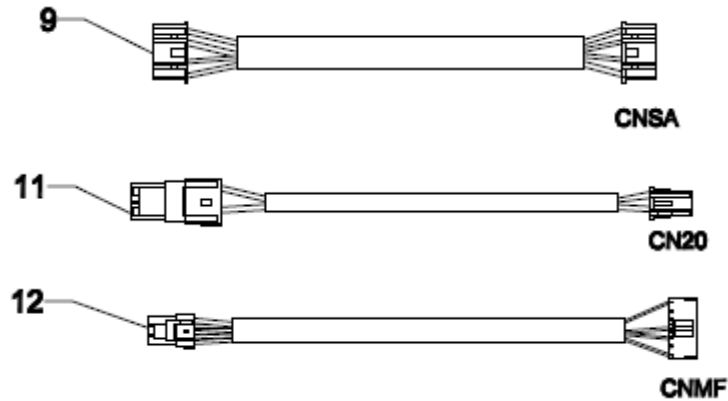
All model codes



No.	Service Part No.	Part Name	Symbol in Wiring Diagram	Quantity per unit							Remarks	
				PVA-AA								
				12NL	18NL	24NL	30NL	36NL	42NL	48NL		60NL**
1	U41 004 246	TERMINAL BLOCK ASSY	TB4/TB5	1	1	1	1	1	1	1	1	S1, S2, S3
2	U41 003 246	TERMINAL BLOCK	TB15	1	1	1	1	1	1	1	1	1, 2
3	U61 006 392	LEAD WIRE ASSY CND (S,M)	CND & CN3C	1	1	1	1					to Terminal Block S1, S2, S3
	U61 007 392	LEAD WIRE ASSY CND (L) W/FERRITE					1	1				to Terminal Block L1, L2, G
	U41 007 392	LEAD WIRE ASSY CND 48	CND							1		
	U61 011 392	LEAD WIRE ASSY CND 60									1	
4	U61 001 280	CONTROL/POWER BOARD		1	1							
	U61 002 280				1	1	1	1	1	1		
	U61 005 280										1	
5	U61 003 392	LEAD WIRE ASSY CN3A	CN3A	1	1	1	1	1	1	1	1	to Terminal Block 1, 2
6	U61 002 337	REACTOR	ACL	1	1	1	1	1	1	1	1	
	U61 003 337											1
7	U61 006 244	DIODE STACK Assy		1	1	1	1	1	1	1	1	
	U61 001 280	POWER BOARD										1
8	U61 004 392	LEAD WIRE ASSY CNAACL		1	1	1	1	1	1	1	1	
	U61 018 392											1
9	U61 005 084	A2L SENSOR LEAD WIRE	CNSA	1	1	1	1	1	1	1	1	
10	U41 001 G08	JUMPER CONNECTOR	CN4F	1	1	1	1	1	1	1	1	
11	U41 004 392	RETURN AIR THERMISTOR ADAPTER HARNESS KIT	CN20	1	1	1	1	1	1	1	1	Does not include thermistor assembly. See HEX Parts for THERMISTOR RETURN AIR (Harness also pre-installed in Cabinet Left Panel. See External parts)
12	U41 026 392	MOTOR POWER HARNESS KIT	CNMF	1	1	1	1	1	1	1	1	(Harness also pre-installed in Cabinet Right Panel. See External parts)
	U61 006 220											1
13	U41 004 246	TERMINAL BLOCK ASSY	TB3	1	1	1	1	1	1	1	1	G, L1, L2
14	U41 044 392	LEAD WIRE ASSY CN3C	CN3C								1	to Terminal Block S2, S3
	U61 012 392											1
15	U41 009 392	LEAD WIRE ASSY EARTH	GND								1	to Terminal Block G
	U61 013 392											1
16	U61 014 392	LEAD WIRE ASSY CNXA	CNXA									1
17	U61 015 392	LEAD WIRE ASSY CNXB	CNXB									1
18	U61 016 392	LEAD WIRE ASSY CNXC	CNXC									1
19	U61 001 374	TB BRACKET										1



All model codes



No.	Service Part No.	Part Name	Symbol in Wiring Diagram	Quantity per unit							Remarks		
				PVA-AA									
				12NL	18NL	24NL	30NL	36NL	42NL	48NL		60NL**	
1	U41 004 246	TERMINAL BLOCK ASSY	TB4/TB5	1	1	1	1	1	1	1	1	S1, S2, S3	
2	U41 003 246	TERMINAL BLOCK	TB15	1	1	1	1	1	1	1	1	1, 2	
3	U61 006 392	LEAD WIRE ASSY CND (S,M)	CND &	1	1	1	1					to Terminal Block S1, S2, S3	
	U61 007 392	LEAD WIRE ASSY CND (L) W/FERRITE	CN3C					1	1			to Terminal Block L1, L2, G	
	U41 007 392	LEAD WIRE ASSY CND 48								1			
	U61 011 392	LEAD WIRE ASSY CND 60									1		
4	U61 001 280	CONTROL/POWER BOARD		1	1								
	U61 002 280					1	1	1	1	1			
	U61 005 280										1		
5	U61 003 392	LEAD WIRE ASSY CN3A	CN3A	1	1	1	1	1	1	1	1	to Terminal Block 1, 2	
6	U61 002 337	REACTOR	ACL	1	1	1	1	1	1	1	1		
	U61 003 337											1	
7	U61 006 244	DIODE STACK Assy		1	1	1	1	1	1	1	1		
	U61 001 280	POWER BOARD										1	
8	U61 004 392	LEAD WIRE ASSY CNACL		1	1	1	1	1	1	1	1		
	U61 018 392											1	
9	U61 005 084	A2L SENSOR LEAD WIRE	CNSA	1	1	1	1	1	1	1	1		
10	U41 001 G08	JUMPER CONNECTOR	CN4F	1	1	1	1	1	1	1	1		
11	U41 004 392	RETURN AIR THERMISTOR ADAPTER HARNESS KIT	CN20	1	1	1	1	1	1	1	1	Does not include thermistor assembly. See HEX Parts for THERMISTOR RETURN AIR (Harness also pre-installed in Cabinet Left Panel. See External parts)	
12	U41 026 392	MOTOR POWER HARNESS KIT	CNMF	1	1	1	1	1	1	1	1	(Harness also pre-installed in Cabinet Right Panel. See External parts)	
	U61 006 220											1	
13	U41 004 246	TERMINAL BLOCK ASSY	TB3	1	1	1	1	1	1	1	1	G, L1, L2	
14	U41 044 392	LEAD WIRE ASSY CN3C	CN3C								1	1	To Terminal Block S2, S3
	U61 012 392											1	
15	U41 009 392	LEAD WIRE ASSY EARTH	GND								1	1	To Terminal Block G
	U61 013 392											1	
16	U61 014 392	LEAD WIRE ASSY CNXA	CNXA									1	
17	U61 015 392	LEAD WIRE ASSY CNXB	CNXB									1	
18	U61 016 392	LEAD WIRE ASSY CNXC	CNXC									1	
19	U61 001 374	TB BRACKET										1	

This product is designed and intended for use in the residential, commercial and light-industrial environment.

mitsubishi
MITSUBISHI ELECTRIC US, INC.



: