



Daikin Light Commercial R-32 Rooftop Units - Curb Fit Cross Reference Guide

If replacing 7½ - 12½ Ton Daikin DC* series with Daikin DS*/DH*series, please contact your Sales Rep for curb adaptor details.

Daikin High Efficiency

G/E Pkg	AC Pkg	HP Pkg
DHG036 - 072	DHC036 - 072	DHH036 - 072

G/E Pkg	AC Pkg
DHG090 - 150	DHC090 - 150

Daikin Standard Efficiency

G/E Pkg	AC Pkg	HP Pkg
DSG036 - 072	DSC036 - 072	DSH036 - 060

G/E Pkg	AC Pkg	HP Pkg
DSG090 - 150	DSC090 - 150	DSH090 - 120

Fits Existing Curb¹

Fits Existing Curb¹

Carrier

G/E Pkg	E/E Pkg	H/P Pkg
48DJ(D,E,F)004 - 007	50DJ004 - 007	50QJ004 - 006
48GJ(D,E,F)006	50GJ006	50HEQ003 - 006
48HE(D,E,F)004 - 006	50HE004 - 006	50HEQ004 - 006
48HJ(D,E,F)004 - 007	50HJ004 - 007	50LJQ004 - 006
48HM(D,E)007	50HM007	50TCQ004 - 007
48LJ(D,E,F)004 - 007	50LJ004 - 007	50TFQ006 - 007
48TC(D,E,F)004 - 007	50TC004 - 007	50TJQ004 - 007
48TF(D,E,F)006 - 007	50TFF006 - 007	50HCQ 004 - 006
48TJ(D,E,F)004 - 007	50TJ004 - 007	
48HC 004 - 006	50HC 004 - 006	

G/E Pkg	E/E Pkg	H/P Pkg
48DJ(D,E,F)008 - 014	50DJ008 - 014	50QJ008 - 012
48GJ(D,E,F)008 - 012	50GJ008 - 012	50HJQ008 - 012
48HJ(D,E,F)008 - 014	50HJ008 - 014	50LJQ008 - 012
48LJ(D,E,F)008 - 014	50LJ008 - 014	50TCQ008 - 09
48TC(D,E,F)008 - 014	50TC008 - 014	50TFQ008 - 012
48TF(D,E,F)008 - 014	50TFF008 - 014	50TJQ008 - 014
48TJ(D,E,F)008 - 014	50TJ008 - 014	50HCQ 007 - 009
48HC 007 - 012	50HC 007 - 012	

Bryant

G/E Pkg	E/E Pkg	H/P Pkg
581A*V036 - 072	551A*X036 - 072	549B*X036 - 072
581B*V036 - 072	551B*X036 - 072	548C*X036 - 060
580C*V036 - 072	558C*X036 - 072	548D*X036 - 072
580D*V036 - 072	558D*X036 - 072	548F*X036 - 072
580F*V036 - 072	558F*X036 - 072	548J*04 - 07
580J*04 - 07	558J*04 - 07	

G/E Pkg	E/E Pkg	H/P Pkg
581A*V090 - 150	551A*X090 - 150	549B*X090 - 120
581B*V090 - 150	551B*X090 - 150	548C*X090 - 120
580B*V090 - 150	558B*X090 - 150	548D*X090 - 120
580C*V090 - 150	558C*X090 - 150	548F*X090 - 120
580D*V090 - 150	558D*X090 - 150	548J*08 - 09
580F*V090 - 150	558F*X090 - 150	
	558J*08 - 012	

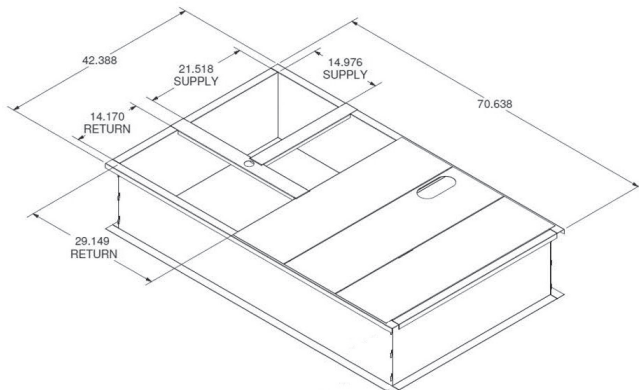
ICP Brands

G/E Pkg	E/E Pkg	H/P Pkg
PGE036 - 072	PAE036 - 072	PHE072
PGH036 - 072	PAH036 - 072	PHH036 - 072
PGS072	PAS072	PHS072
RGS036 - 072	RAS036 - 072	RHS036 - 072

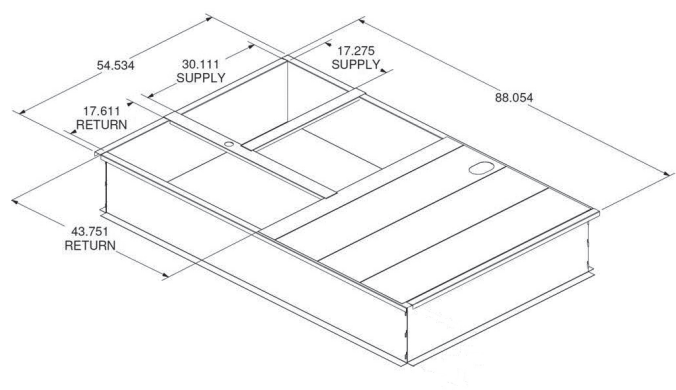
G/E Pkg	E/E Pkg	H/P Pkg
PGE090 - 150	PAE090 - 150	PHE090 - 120
PGH090 - 150	PAH090 - 150	PHH090 - 120
PGS090 - 150	PAS090 - 150	PHS090 - 120
RGS090 - 150	RAS090 - 150	RHS090 - 102

¹ It is the responsibility of the installing contractor to review the dimensional drawings for the new Daikin Series equipment (see below) and confirm that it is an exact fit for the existing unit curb. Daikin is not responsible for providing additional materials and/or curb adaptors UNLESS otherwise quoted.

3-6 Ton Roof Curb Footprint



7.5-12.5 Ton Roof Curb Footprint



Our continuing commitment to quality products may mean a change in specifications without notice.

© 2024 **DAIKIN COMFORT TECHNOLOGIES NORTH AMERICA, INC.** · Houston, Texas · USA · www.daikincomfort.com or www.daikinac.com