

# PARTS CATALOG

**R454B**

**Outdoor unit**

**[Model Name]**

**[Service Reference]**

PUZ-AK36NL

**PUZ-AK36NL-U2**

PUZ-AK42NL

**PUZ-AK42NL-U2**

PUZ-AK48NL

**PUZ-AK48NL-U2**

PUZ-AK60NL

**PUZ-AK60NL-U2**

PUY-AK36NL

**PUY-AK36NL-U2**

PUY-AK42NL

**PUY-AK42NL-U2**

PUY-AK48NL

**PUY-AK48NL-U2**

PUY-AK60NL

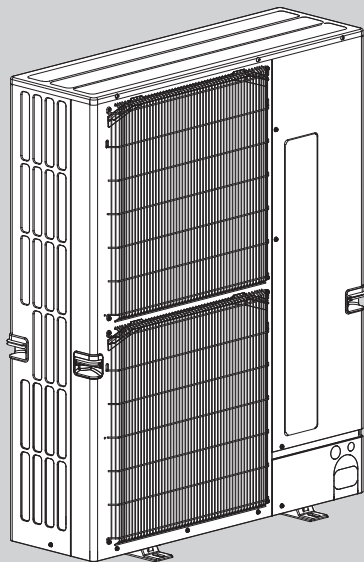
**PUY-AK60NL-U2**

SUZ-AK48NL

**SUZ-AK48NL-U2**

SUZ-AK60NL

**SUZ-AK60NL-U2**



**PUZ-AK36/42/48/60NL-U2**  
**PUY-AK36/42/48/60NL-U2**  
**SUZ-AK48/60NL-U2**

## CONTENTS

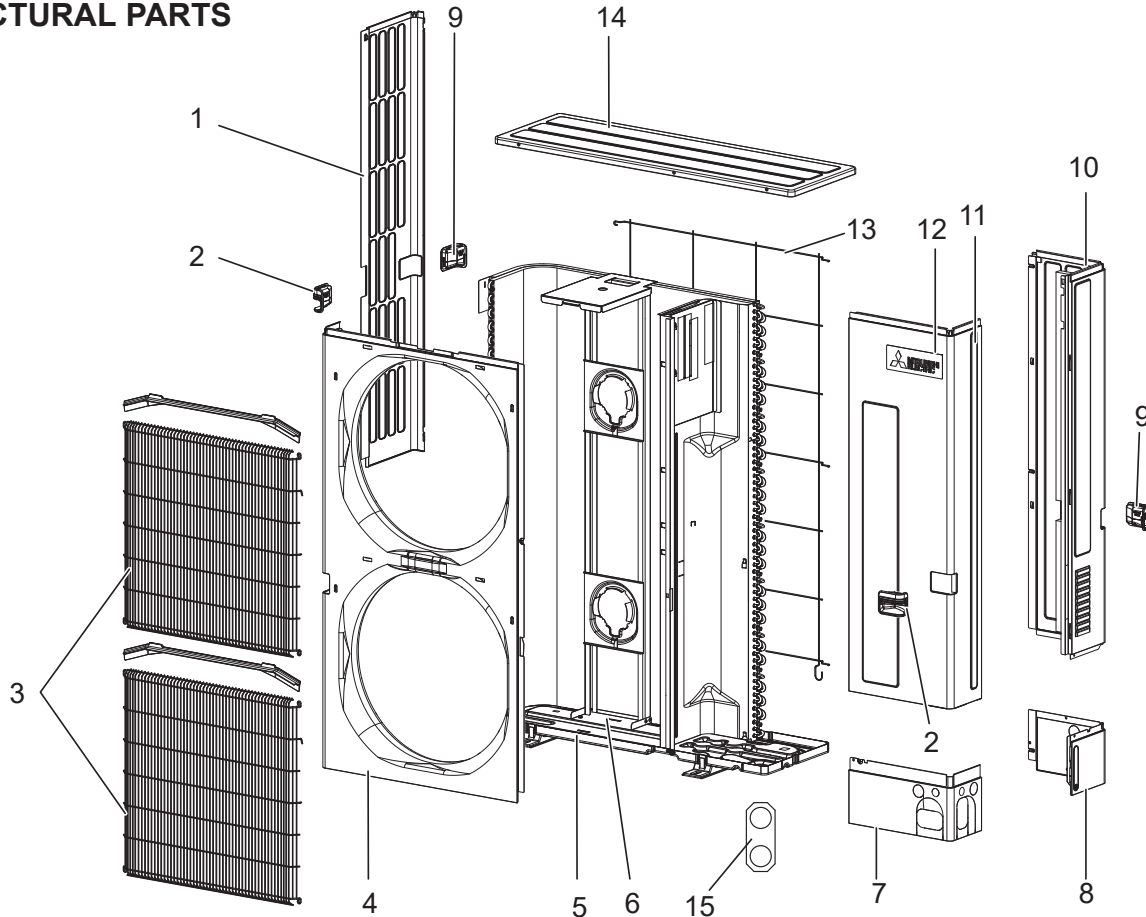
1. SERVICE PARTS LIST ..... 2

**SERVICE MANUAL (OCH884)**

# 1

# SERVICE PARTS LIST

## STRUCTURAL PARTS



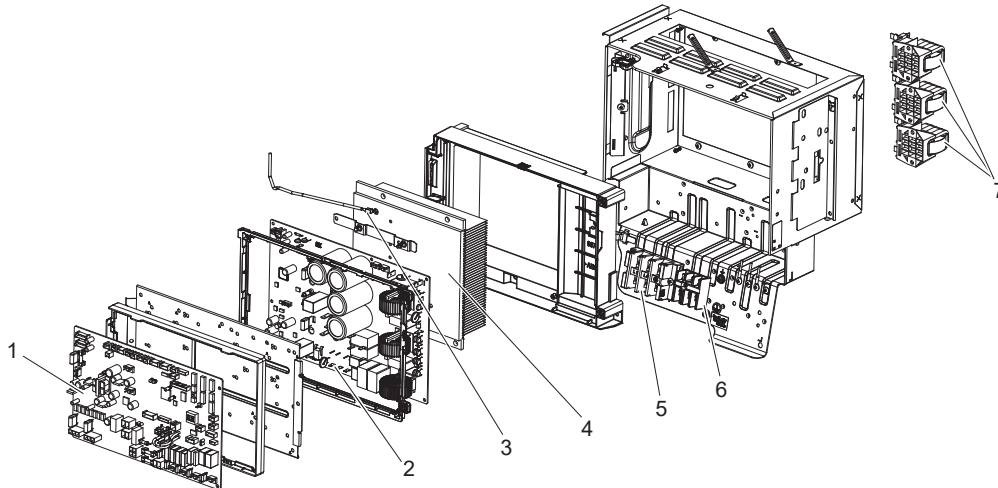
1. The part quantity below indicates the required number of pieces per unit.

2. The circled No. indicates that the part is not shown in the figure.

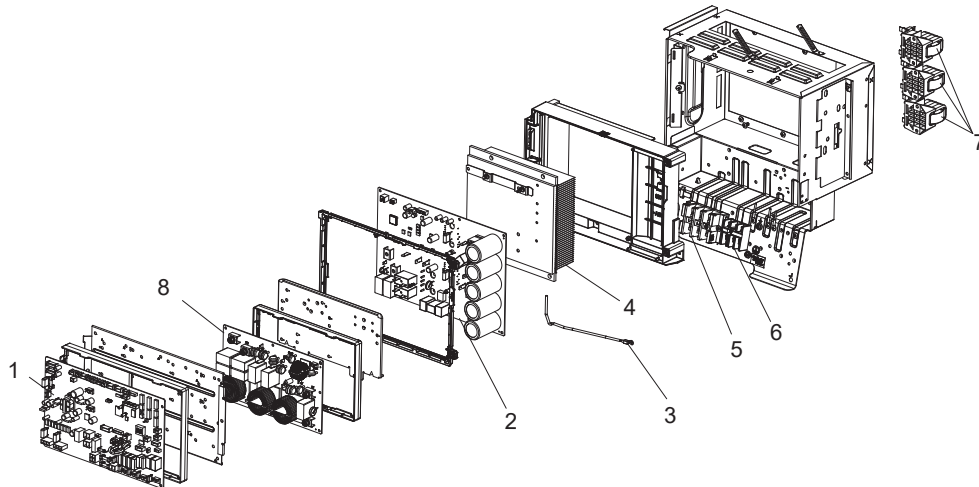
No.	Parts No.	Parts Name	PUZ-AK36NL-U2	PUZ-AK42NL-U2	PUZ-AK48NL-U2	PUZ-AK60NL-U2	PUY-AK36NL-U2	PUY-AK42NL-U2	PUY-AK48NL-U2	PUY-AK60NL-U2	SUZ-AK48NL-U2	SUZ-AK60NL-U2	Remarks
1	U 21 0 01 0 0 0	SIDE PANEL (L)	1	1	1	1	1	1	1	1	1	1	
2	U 21 0 01 8 1 9	HANDLE (FRONT)	2	2	2	2	2	2	2	2	2	2	
3	U 21 0 01 5 2 1	WIRE GRILLE	2	2	2	2	2	2	2	2	2	2	
4	U 21 0 01 0 1 0	FRONT PANEL	1	1	1	1	1	1	1	1	1	1	
5	U 21 0 01 2 9 0	BASE ASSY	1	1	1	1	1	1	1	1	1	1	
6	U 21 0 01 5 1 5	MOTOR SUPPORT	1	1			1	1					
6	U 21 0 02 5 1 5	MOTOR SUPPORT			1	1				1	1		
6	U 21 0 03 5 1 5	MOTOR SUPPORT									1	1	
7	U 21 0 02 0 1 0	COVER PANEL (FRONT)	1	1	1	1	1	1	1	1	1	1	
8	U 21 0 03 0 0 0	COVER PANEL (REAR)	1	1	1	1	1	1	1	1	1	1	
9	U 01 0 03 8 1 9	HANDLE (REAR)	2	2	2	2	2	2	2	2	2	2	
10	U 21 0 02 0 0 0	SIDE PANEL (R)	1	1	1	1	1	1	1	1	1	1	
11	U 21 0 01 2 4 5	SERVICE PANEL	1	1	1	1	1	1	1	1	1	1	
12	U 01 M 01 9 8 7	BRAND LABEL	1	1	1	1	1	1	1	1	1	1	
13	U 21 0 01 8 2 3	REAR GUARD	1	1	1	1	1	1	1	1	1	1	
14	U 21 0 04 0 0 0	TOP PANEL	1	1	1	1	1	1	1	1	1	1	
15	U 21 0 001 9 7 8	CONDUIT PLATE	1	1	1	1	1	1	1	1	1	1	

# ELECTRICAL PARTS

PUZ-AK36NL-U2    PUZ-AK42NL-U2  
 PUY-AK36NL-U2    PUY-AK42NL-U2



PUZ-AK48NL-U2    PUZ-AK60NL-U2  
 PUY-AK48NL-U2    PUY-AK60NL-U2  
 SUZ-AK48NL-U2    SUZ-AK60NL-U2



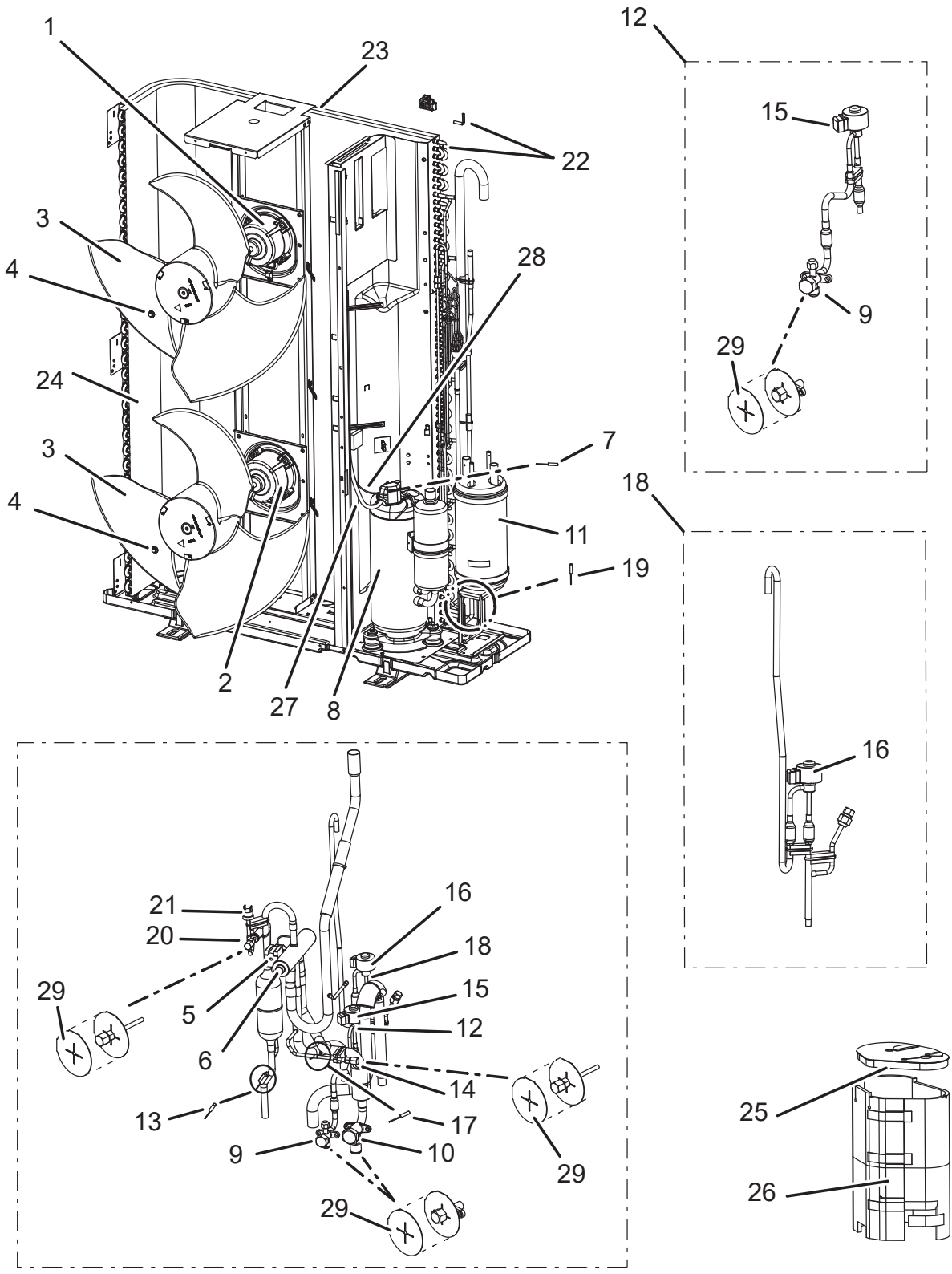
1. The part quantity below indicates the required number of pieces per unit.
2. The circled No. indicates that the part is not shown in the figure.

No.	Parts No.	Parts Name	PUZ-AK36NL-U2	PUZ-AK42NL-U2	PUZ-AK48NL-U2	PUZ-AK60NL-U2	PUY-AK36NL-U2	PUY-AK42NL-U2	PUY-AK48NL-U2	PUY-AK60NL-U2	SUZ-AK48NL-U2	SUZ-AK60NL-U2	Wiring Diagram Symbol	Remarks
			1	1	1	1	1	1	1	1	1	1		
1	U21 B25 451	CONTROLLER BOARD	1	1	1	1	1	1	1	1	1	1	C.B.	
2	U21 B28 451	POWER BOARD	1	1			1	1					P.B.	
2	U21 B29 451	POWER BOARD			1	1			1	1	1	1	P.B.	
3	U21 001 200	THERMISTOR(HS)	1	1			1	1					TH8 (Heat Sink)	
3	U21 002 200	THERMISTOR(HS)			1	1			1	1	1	1	TH8 (Heat Sink)	
4	U21 001 620	HEAT SINK	1	1			1	1						Includes SCREW
4	U21 002 620	HEAT SINK			1	1			1	1	1	1		Includes SCREW
5	U21 001 246	T.B./L1.L2.E	1	1	1	1	1	1	1	1	1	1	TB1 (L1/L2/E)	
6	U01 A07 374	T.B./S1.S2.S3	1	1	1	1	1	1	1	1	1	1	TB2 (S1/S2/S3)	
7	U01 A07 337	REACTOR	3	3	3	3	3	3	3	3	3	3	DCL	
8	U21 B30 451	NOISE FILTER			1	1			1	1	1	1	N.F.	

**FUNCTIONAL PARTS**

**PUZ-AK36NL-U2 PUZ-AK42NL-U2**

**PUY-AK36NL-U2 PUY-AK42NL-U2**



1. The part quantity below indicates the required number of pieces per unit.
2. The circled No. indicates that the part is not shown in the figure.

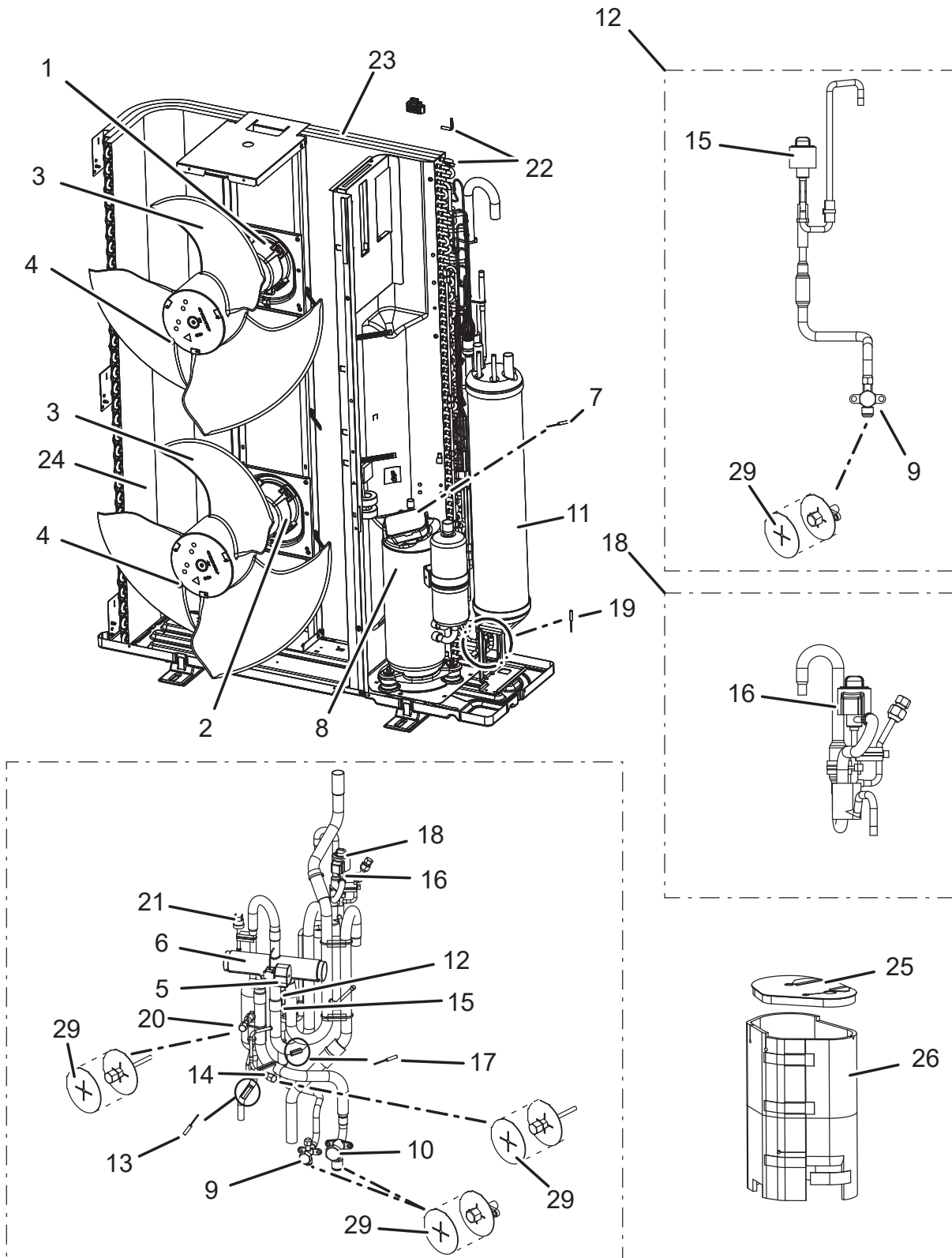
No.	Parts No.	Parts Name	PUZ-AK36NL-U2	PUZ-AK42NL-U2	PUY-AK36NL-U2	PUY-AK42NL-U2	Wiring Diagram Symbol	Remarks
1	U21 001 300	FAN MOTOR	1	1	1	1	MF1	
2	U21 003 300	FAN MOTOR	1	1	1	1	MF2	
3	U21 001 501	PROPELLER FAN/D550	2	2	2	2		
4	U21 001 822	CAP NUT(MEC) M6	2	2	2	2		M6
5	U21 002 243	SOLENOID COIL(21S4)	1	1			21S4	Includes SCREW
6	U21 001 961	4-WAY VALVE	1	1	1	1		
7	U21 003 200	THERMISTOR(SHELL)	1	1	1	1	TH33	
8	U21 001 900	COMPRESSOR	1	1	1	1	MC	MRB36FEGMC Includes RUBBER MOUNT
9	U21 001 661	STOP VALVE	1	1	1	1	3/8	
10	U21 002 661	STOP VALVE	1	1	1	1	5/8	Includes STRAINER
11	U21 001 089	POWER RECEIVER	1	1	1	1		
12	U21 001 401	LEV-B ASSY	1	1	1	1	LEV-B	Includes STOP VALVE
13	U21 004 200	THERMISTOR(DIS)	1	1	1	1	TH4	
14	U21 001 821	CHARGE PLUG/ST	1	1	1	1		
15	U21 001 493	LEV COIL/XAP5-RED	1	1	1	1	LEV-B	
16	U21 003 493	LEV COIL/XAP5-WH	1	1	1	1	LEV-A	
17	U21 005 200	THERMISTOR	1	1	1	1	TH32	
18	U21 005 493	LEV-A ASSY	1	1	1	1	LEV-A	
19	U21 006 200	THERMISTOR	1	1	1	1	TH3	
20	U21 001 821	CHARGE PLUG/ST	1	1	1	1		
21	U01 A02 541	HIGH PRESSURE SWITCH	1	1	1	1	63H	OFF 4.14MPa
22	U21 007 200	THERMISTOR W	1	1	1	1	TH6 (Outdoor 2-Phase Pipe), TH7 (Ambient)	
23	U21 003 620	HEAT EXCHANGER (TOP)	1	1	1	1		
24	U21 005 620	HEAT EXCHANGER (UNDER)	1	1	1	1		
25	U21 001 100	COMP FELT-TOP/MRB	1	1	1	1		
26	U21 002 100	COMP FELT-BODY/MRK	1	1	1	1		
27	U21 001 392	LEAD ASSY COMP	1	1	1	1		
28	U21 003 392	TRS ASSY	1	1	1	1	TRS	
29	U21 001 104	REF.MARKER(SNAP)1P	1	1	1	1		

# FUNCTIONAL PARTS

PUZ-AK48NL-U2 PUZ-AK60NL-U2

PUY-AK48NL-U2 PUY-AK60NL-U2

SUZ-AK48NL-U2 SUZ-AK60NL-U2



1. The part quantity below indicates the required number of pieces per unit.
2. The circled No. indicates that the part is not shown in the figure.

No.	Parts No.	Parts Name							Wiring Diagram Symbol	Remarks
			PUZ-AK48NL-U2	PUZ-AK60NL-U2	PUY-AK48NL-U2	PUY-AK60NL-U2	SUZ-AK48NL-U2	SUZ-AK60NL-U2		
1	U21 002 300	FAN MOTOR	1	1	1	1	1	1	MF1	
2	U21 004 300	FAN MOTOR	1	1	1	1	1	1	MF2	
3	U21 001 501	PROPELLER FAN/D550	2	2	2	2	2	2		
4	U21 001 822	CAP NUT(MEC) M6	2	2	2	2	2	2		M6
5	U21 001 243	SOLENOID COIL(21S4)	1	1			1	1	21S4	Includes SCREW
6	U21 002 961	4-WAY VALVE	1	1	1	1	1	1		
7	U21 003 200	THERMISTOR(SHELL)	1	1	1	1	1	1	TH33	
8	U21 002 900	COMPRESSOR	1	1	1	1	1	1	MC	MRB53FEJMC-L Includes RUBBER MOUNT
9	U21 001 661	STOP VALVE	1	1	1	1	1	1	3/8	
10	U21 002 661	STOP VALVE	1		1		1		5/8	Includes STRAINER
10	U21 003 661	STOP VALVE		1		1		1	3/4	Includes STRAINER
11	U21 002 089	POWER RECEIVER	1	1	1	1	1	1		
12	U21 002 401	LEV-B ASSY	1	1	1	1	1	1	LEV-B	Includes STOP VALVE
13	U21 004 200	THERMISTOR(DIS)	1	1	1	1	1	1	TH4	
14	U21 002 821	CHARGE PLUG/LB90	1	1	1	1	1	1		
15	U21 002 493	LEV COIL/XAP5-RED	1	1	1	1	1	1	LEV-B	
16	U21 004 493	LEV COIL/XAP5-WH	1	1	1	1	1	1	LEV-A	
17	U21 005 200	THERMISTOR	1	1	1	1	1	1	TH32	
18	U21 006 493	LEV-A ASSY	1	1	1	1	1	1	LEV-A	
19	U21 006 200	THERMISTOR	1	1	1	1	1	1	TH3	
20	U21 002 821	CHARGE PLUG/LB90	1	1	1	1	1	1		
21	U01 A02 541	HIGH PRESSURE SWITCH	1	1	1	1	1	1	63H	OFF 4.14 MPa
22	U21 007 200	THERMISTOR W	1	1	1	1	1	1	TH6 (Outdoor 2-Phase Pipe), TH7 (Ambient)	
23	U21 004 620	HEAT EXCHANGER (TOP)	1	1	1	1	1	1		
24	U21 006 620	HEAT EXCHANGER (UNDER)	1	1	1	1	1	1		
25	U21 001 100	COMP FELT-TOP/MRB	1	1	1	1	1	1		
26	U21 002 100	COMP FELT-BODY/MRK	1	1	1	1	1	1		
27	U21 002 392	LEAD ASSY COMP	1	1	1	1	1	1		
28	U21 003 392	TRS ASSY	1	1	1	1	1	1	TRS	
29	U21 001 104	REF.MARKER(SNAP)1P	1	1	1	1	1	1		

# **mitsubishi electric corporation**

HEAD OFFICE : TOKYO BUILDING, 2-7-3, MARUNOUCHI, CHIYODA-KU, TOKYO 100-8310, JAPAN

---