

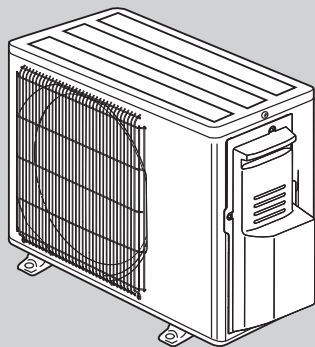
PARTS CATALOG

R454B

Outdoor unit [Model Name]	[Service Ref.]
SUZ-AA09NL	SUZ-AA09NL-U1
SUZ-AA12NL	SUZ-AA12NL-U1
SUZ-AA15NL	SUZ-AA15NL-U1

Revision:
• Some descriptions have
been revised in REVISED
EDITION-B.

OCH879A is void.



**SUZ-AA09NL-U1
SUZ-AA12NL-U1
SUZ-AA15NL-U1**

CONTENTS

1. SERVICE PARTS LIST..... 2
2. OPTIONAL PARTS..... 4

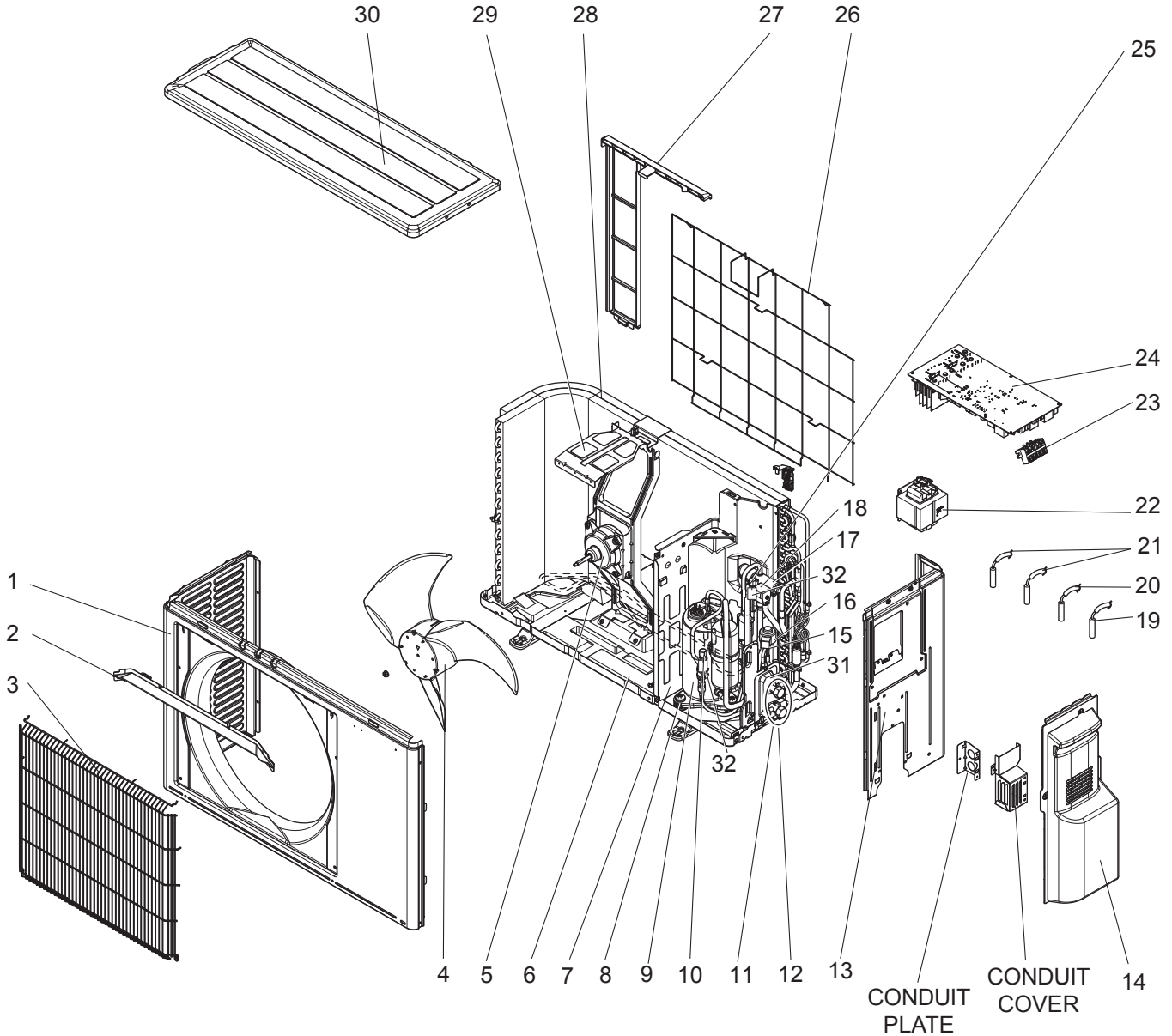
SERVICE MANUAL (OCH879)

1

SERVICE PARTS LIST

1-1. OUTDOOR UNIT STRUCTURAL PARTS, ELECTRICAL PARTS AND FUNCTIONAL PARTS

SUZ-AA09NL-U1
SUZ-AA12NL-U1
SUZ-AA15NL-U1



1. The part quantity below indicates the required number of pieces per unit.
2. The circled No. indicates that the part is not shown in the figure.

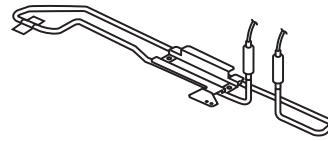
No.	Part No.	Part Name	SUZ-AA09NL-U1	SUZ-AA12NL-U1	SUZ-AA15NL-U1	Wiring Diagram Symbol	Remarks
1	U01 A06 232	CABINET	1	1	1		
2	U01 A01 531	ICE GUARD	1	1	1		
3	U01 A03 521	GRILLE (OUT)	1	1	1		
4	U01 A01 501	PROPELLER FAN	1	1	1		
5	U01 A03 301	OUTDOOR FAN MOTOR	1	1	1	MF	
6	U01 A02 290	BASE	1	1	1		
7	U01 A10 293	SEPARATOR	1	1	1		
8	U01 A01 506	COMPRESSOR RUBBER MOUNT	3	3	3		
9	U01 A16 900	COMPRESSOR	1	1		MC	SRB092FQFMC(T)
9	U01 A17 900	COMPRESSOR			1	MC	SRB140FQHMC(T)
10	U01 A02 641	SERVICE PORT	1	1	1		Discharge line
11	U01 A13 661	STOP VALVE (GAS) '3/8	1	1			
11	U01 A14 661	STOP VALVE (GAS) '1/2			1		
12	U01 A17 661	STOP VALVE (LIQ) '1/4	1	1	1		
13	U01 A01 233	BACK PANEL	1	1	1		
14	U01 A03 245	SERVICE PANEL	1	1	1		
15	U01 001 401	EXPANSION VALVE ASSY	1	1	1		
16	U01 A01 493	EXPANSION VALVE COIL	1	1	1	LEV	
17	U01 A04 961	4-WAY VALVE	1	1			
17	U01 A06 961	4-WAY VALVE			1		
18	U01 A03 490	SOLENOID COIL	1	1	1	21S4	
19	U01 A03 308	THERMISTOR	1	1	1	RT65	
20	U01 A02 307	THERMISTOR	1	1	1	RT68	
21	U01 A01 306	THERMISTOR	1	1	1	RT61, RT62	
22	U01 A01 337	REACTOR	1	1	1	L61	
23	U01 A05 374	TERMINAL BLOCK	1	1	1	TB	5 P
24	U01 B06 456	INVERTER P.C. BOARD	1				Includes heat sink and RT64
24	U01 B07 457	INVERTER P.C. BOARD		1			Includes heat sink and RT64
24	U01 B08 458	INVERTER P.C. BOARD			1		Includes heat sink and RT64
25	U01 A01 641	SERVICE PORT	1	1	1		Suction line
26	U01 A01 525	CONDENSER WIRE NET	1	1	1		
27	U01 A01 523	CONDENSER NET	1	1	1		
28	U01 A10 630	OUTDOOR HEAT EXCHANGER	1	1	1		
29	U01 A01 515	MOTOR SUPPORT	1	1	1		
30	U01 A01 297	TOP PANEL	1	1	1		
31	U01 010 987	RED LABEL	1	1	1		For stop valve
32	U01 011 987	RED LABEL	2	2	2		For service port
33	U01 A02 079	THERMO HOLDER	1	1	1		For RT65
34	U01 A01 936	CAPILLARY TUBE	1	1	1		
35	U01 A02 936	CAPILLARY TUBE	1	1	1		
36	U01 M01 987	BRAND LABEL	1	1	1		

2

OPTIONAL PARTS

2-1. DEFROST HEATER

Model	Parts No.
SUZ-AA09NL SUZ-AA12NL SUZ-AA15NL	MAC-650BH



Components

① Defrost heater	1	④ Cable tie	1
② Aluminum tape	1	⑤ Self drilling screw	2
③ Heater support	1	⑥ Insulation	1

MITSUBISHI ELECTRIC CORPORATION

HEAD OFFICE: TOKYO BUILDING, 2-7-3, MARUNOUCHI, CHIYODA-KU, TOKYO100-8310, JAPAN