

SPLIT-SYSTEM HEAT PUMP

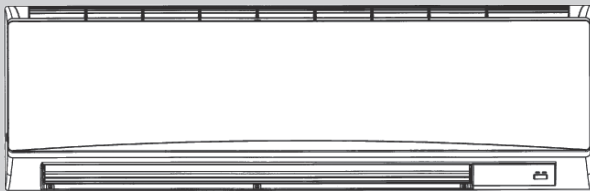
July 2024
No. OCB859

PARTS CATALOG

Series PKA **Wall Mounted** **R454B**

Indoor unit
[Model Name] [Service Ref.]

PKA-AK24NL	PKA-AK24NL-U1
PKA-AK30NL	PKA-AK30NL-U1
PKA-AK36NL	PKA-AK36NL-U1



INDOOR UNIT

CONTENTS

- 1. SERVICE PARTS LIST 2
- 2. OPTIONAL PARTS 6

SERVICE MANUAL (OCH859)



WIRELESS REMOTE
CONTROLLER
(Option)



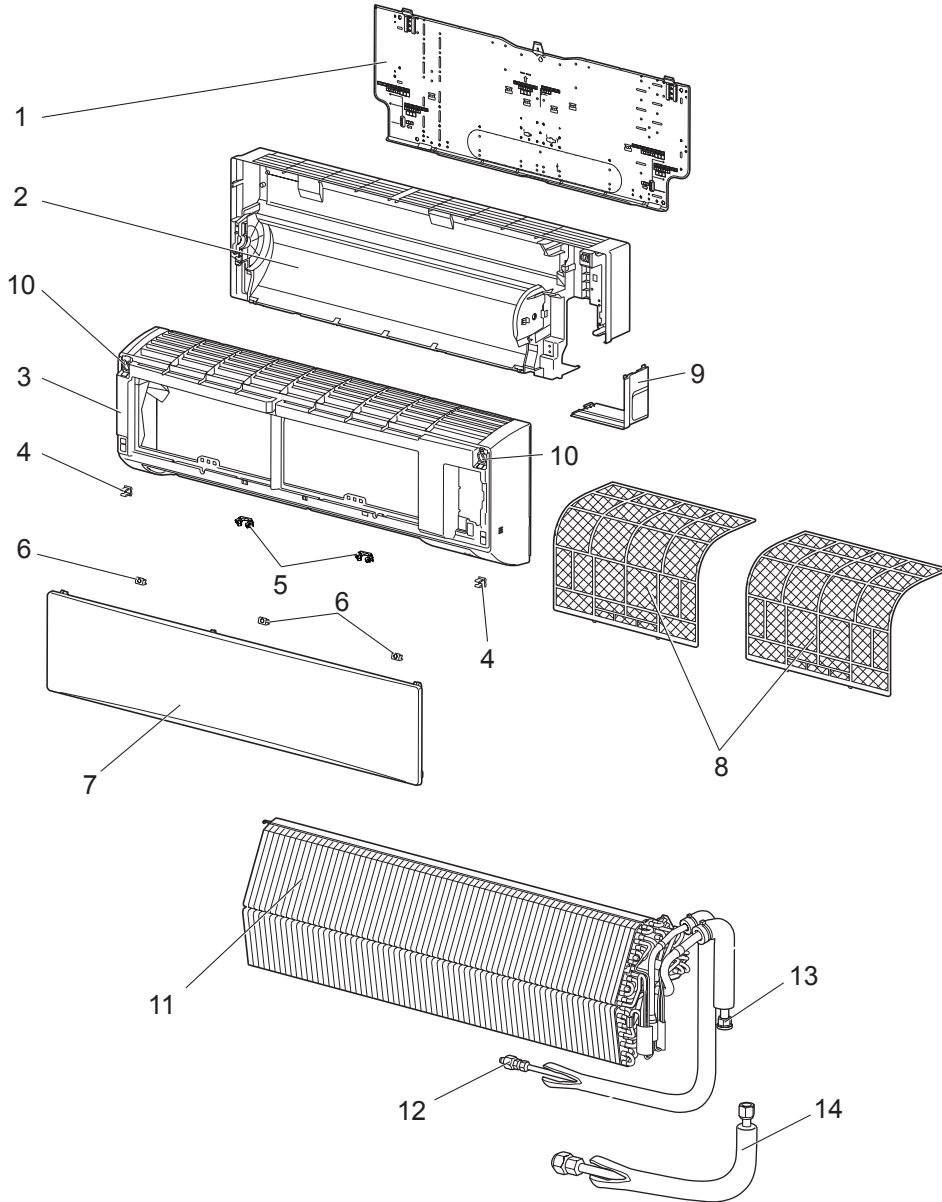
WIRED REMOTE
CONTROLLER
(Option)

PANEL AND HEAT EXCHANGER PARTS

PKA-AK24NL-U1

PKA-AK30NL-U1

PKA-AK36NL-U1



1. The part quantity below indicates the required number of pieces per unit.
2. The circled No. indicates that the part is not shown in the figure.

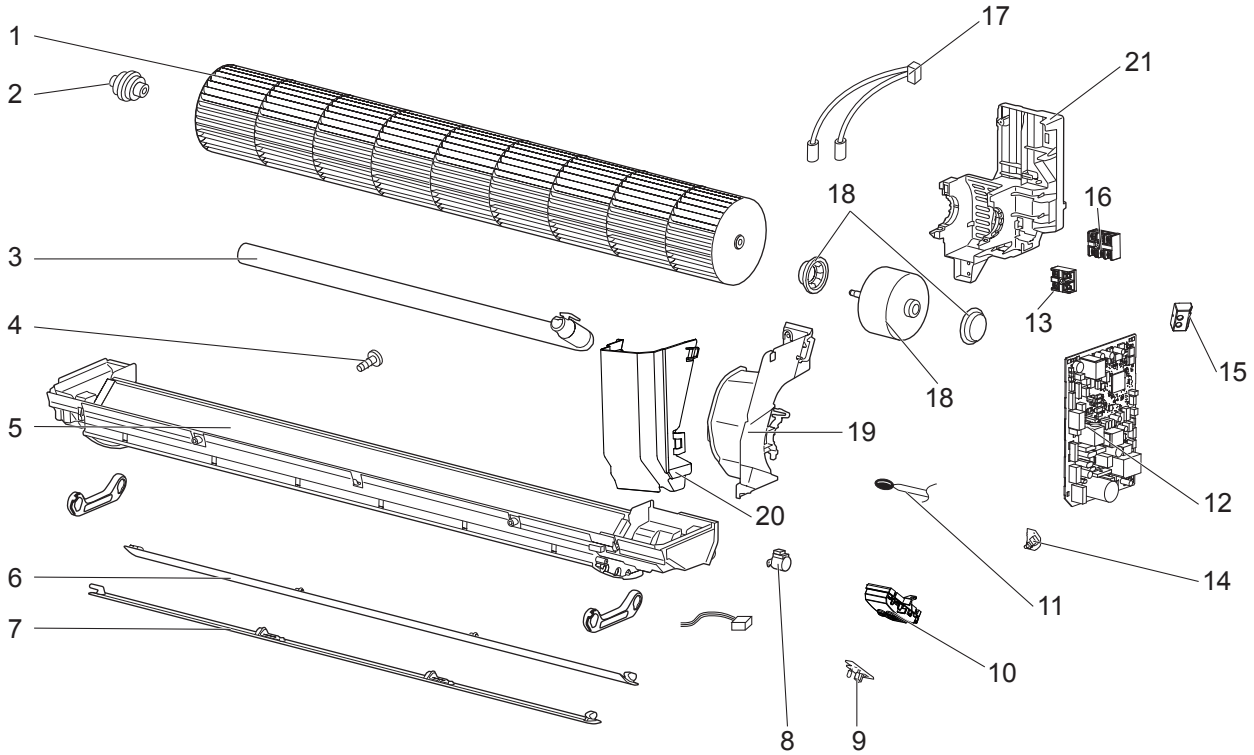
No.	Parts No.	Parts Name	PKA-AK24NL-U1	PKA-AK30NL-U1	PKA-AK36NL-U1	Wiring Diagram Symbol	Remarks
1	E 22 C 92 970	INSTALLATION PLATE	1	1	1		
2	E 27 1B4 234	BOX ASSEMBLY	1	1	1		
3	E 27 1B4 000	PANEL ASSEMBLY	1	1	1		including 4, 5, 7, 10
4	E 22 408 142	CATCH	2	2	2		2 pcs/set
5	E 22 C 92 142	CATCH	2	2	2		2 pcs/set
6	E 27 1B4 067	SCREW CAP	3	3	3		3 pcs/set
7	E 27 1B4 010	FRONT PANEL	1	1	1		
8	E 22 C 92 100	CATECHIN AIR FILTER	2	2	2		
9	E 22 8F7 975	CORNER BOX	1	1	1		
10	E 27 30E 021	ARM HOLDER SET	1	1	1		set (left, right)
11	E 27 1D7 620	INDOOR HEAT EXCHANGER	1	1			
11	E 27 1D8 620	INDOOR HEAT EXCHANGER			1		
12	E 22 527 667	UNION 3/8"	1	1	1		for liquid
13	E 22 C 92 666	UNION 5/8"	1	1	1		for gas
14	E 27 1B4 980	JOINT ASSEMBLY	1	1	1		

FUNCTIONAL PARTS

PKA-AK24NL-U1

PKA-AK30NL-U1

PKA-AK36NL-U1



1. The part quantity below indicates the required number of pieces per unit.
2. The circled No. indicates that the part is not shown in the figure.

No.	Part No.	Part Name	PKA-AK24NL-U1	PKA-AK30NL-U1	PKA-AK36NL-U1	Wiring Diagram Symbol	Remarks
1	E 22 R 79 3 0 2	LINE FLOW FAN	1	1	1		
2	E 22 A 89 5 0 9	BEARING MOUNT ASSEMBLY	1	1	1		
3	E 22 T 20 7 0 2	DRAIN HOSE	1	1	1		
4	E 27 4 2 R 7 0 5	DRAIN CAP	1	1	1		
5	E 27 6 0 R 2 3 5	NOZZLE ASSEMBLY	1	1	1		full assembly except drain hose and vanes
6	E 22 8 F 7 0 4 0	VANE UPPER	1	1	1		
7	E 22 8 F 7 0 4 1	VANE LOWER	1	1	1		
8	E 22 7 4 9 3 0 3	VANE MOTOR	1	1	1	MV	
9	E 27 5 1 8 4 6 8	RECEIVER P.C. BOARD	1	1	1	W.B.	
10	E 22 C 9 2 0 9 5	POWER MONITOR RECEIVER HOLDER	1	1	1		
11	E 27 5 1 8 3 0 8	ROOM TEMP. THERMISTOR	1	1	1	TH1	
12	E 27 1 D 7 4 4 7	INDOOR CONTROLLER BOARD	1	1	1	I.B.	
13	E 27 5 1 6 3 7 5	TERMINAL BLOCK	1	1	1	TB5	
14	E 27 3 0 E 3 2 6	SWITCH BOARD	1	1	1	S.B.	
15	E 27 5 1 8 7 8 2	SWITCH HOLDER	1	1	1		
16	E 27 2 1 F 3 7 5	TERMINAL BLOCK	1	1	1	TB4	
17	E 27 4 9 1 3 0 7	PIPE TEMP. DETECTION LIQUID/GAS	1	1	1	TH2, TH5	
18	E 27 3 0 E 3 0 0	INDOOR FAN MOTOR	1	1	1	MF	including rubber mounts
19	E 22 C 9 2 3 3 3	MOTOR BAND	1	1	1		
20	E 27 5 1 8 5 4 1	WATER COVER	1	1	1		
21	E 22 5 5 J 3 3 3	MOTOR BED	1	1	1		
22	E 22 7 3 F 9 7 8	CONDUIT PLATE	1	1	1		

2**OPTIONAL PARTS**

Parts name	Parts No.
WIRED REMOTE CONTROLLER	PAR-42MAAUB, PAC-YT53CRAU
WIRELESS REMOTE CONTROLLER	PAR-FL32MA, PAR-SL101A-E
WIRELESS SIGNAL RECEIVER	PAR-FA32MA
DRAIN PUMP	PAC-SL48DM-E
REMOTE ON/OFF ADAPTER	PAC-SE55RA-E
Wi-Fi INTERFACE	PAC-WHS01WF-E

mitsubishi electric corporation

HEAD OFFICE: TOKYO BUILDING, 2-7-3, MARUNOUCHI, CHIYODA-KU, TOKYO 100-8310, JAPAN