

# PARTS CATALOG

## Series SLZ

## Ceiling Cassettes

R454B

Indoor unit  
[Model Name]

[Service Ref.]

SLZ-AF09NL

**SLZ-AF09NL-U1**

SLZ-AF12NL

**SLZ-AF12NL-U1**

SLZ-AF15NL

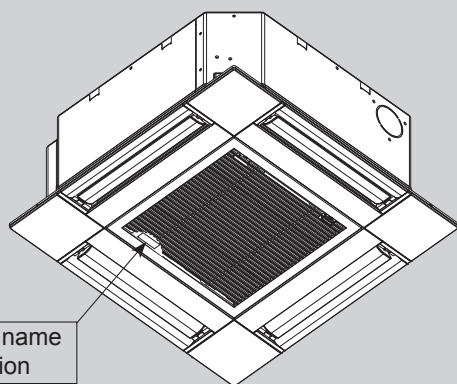
**SLZ-AF15NL-U1**

SLZ-AF18NL

**SLZ-AF18NL-U1**

Revision:  
• "2. OPTINAL PARTS" has  
been revised REVISED  
EDITION-A.

OCH857 is void.



Model name  
indication

INDOOR UNIT



WIRELESS REMOTE  
CONTROLLER  
(Option)



WIRED REMOTE CONTROLLER  
(Option)

## CONTENTS

- 1. SERVICE PARTS LIST..... 2
- 2. OPTIONAL PARTS..... 6

**SERVICE MANUAL (OCH857)**

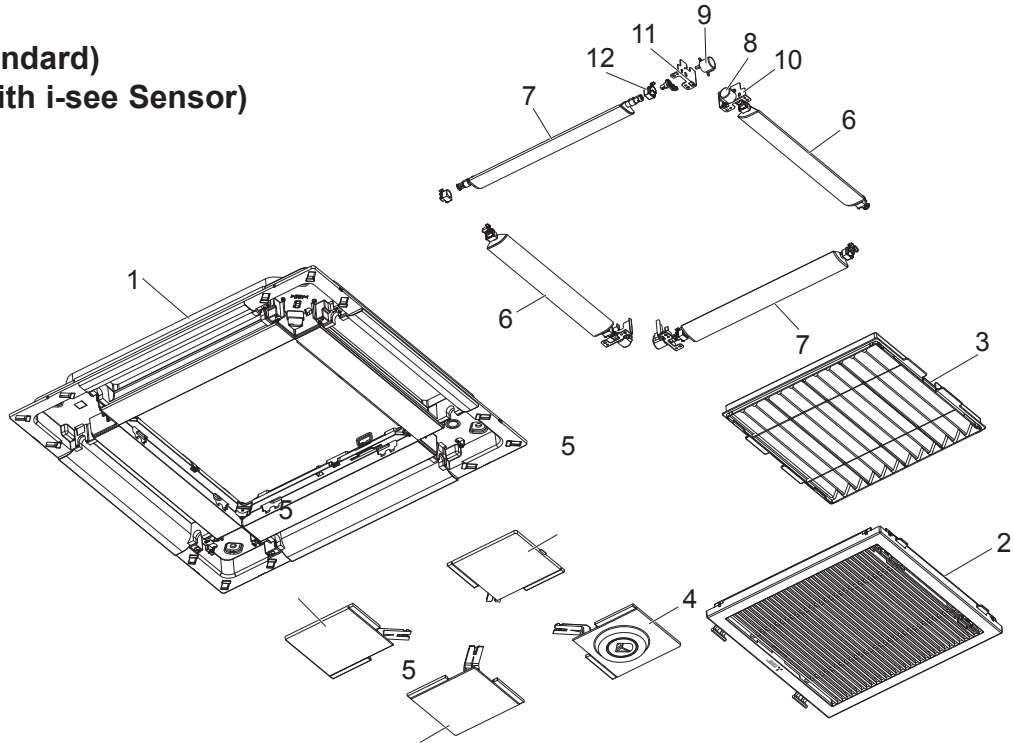
# 1

# SERVICE PARTS LIST

## GRILLE PARTS

SLP-18FAU (Standard)

SLP-18FAEU (with i-see Sensor)

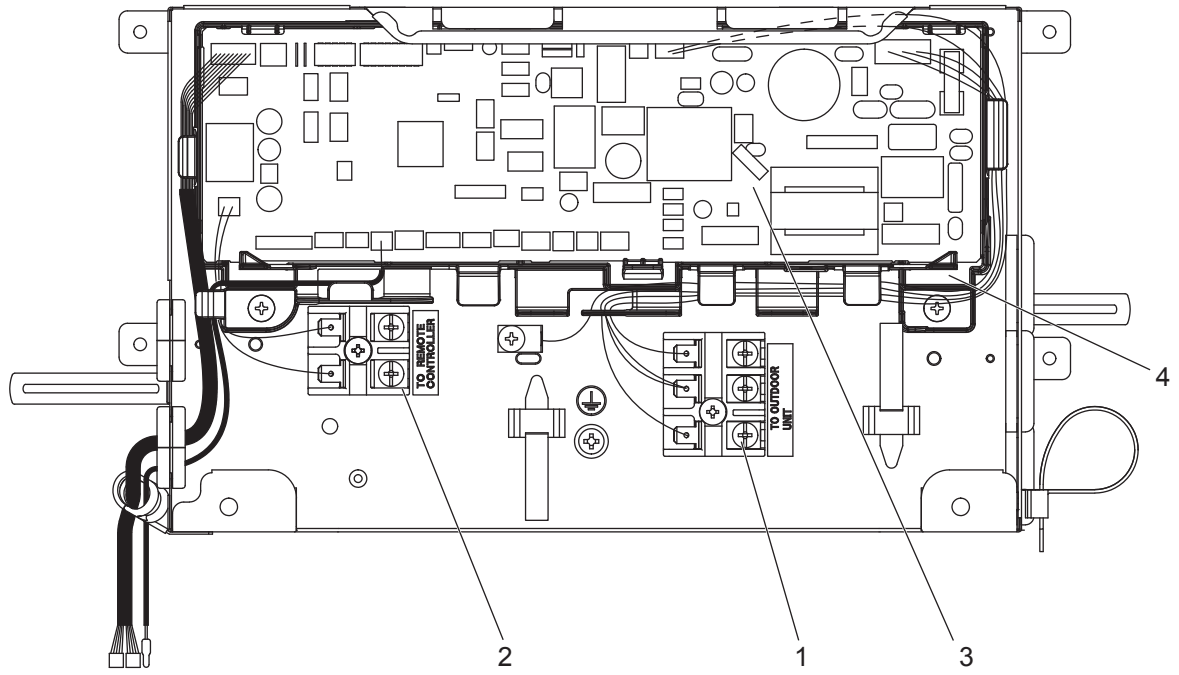


1. The part quantity below indicates the required number of pieces per unit.  
 2. The circled No. indicates that the part is not shown in the figure.

Main Function & Equipped Optional Items	SLP-18FAU	SLP-18FAEU	Remarks
Wireless Remote Controller			Signal Sender
i-see Sensor Corner Panel (PAC-SF1ME-E)		✓	
Wireless Remote Controller for AFE (Exclusive)			Small size Signal Sender

No.	Parts No.	Parts Name	SLP-18FAU	SLP-18FAEU	Wiring Diagram Symbol	Remarks
1	E27 C26 003	AIR OUTLET GRILLE	1	1		
2	E27 C26 010	INTAKE GRILLE	1	1		
3	E27 C26 100	AIR FILTER	1	1		
4	E27 C29 975	CORNER PANEL (i-see Sensor)		1		
5	E27 C26 975	CORNER PANEL	4	3		with safety strap
6	E27 C26 037	AUTO VANE-1	2	2		GREEN
7	E27 C27 037	AUTO VANE-2	2	2		BLUE
8	E27 C26 303	VANE MOTOR-1	2	2		GREEN
9	E27 C27 303	VANE MOTOR-2	2	2		BLUE
10	E27 C26 946	COUPLING-1	2	2		GREEN
11	E27 C27 946	COUPLING-2	2	2		BLUE
12	E27 C26 044	VANE BUSH	8	8		
⑬	E27 C26 033	WIRE HOOK	2	2		
⑭	E27 C27 087	JUNCTION CABLE (i-see Sensor)		1		

## ELECTRICAL PARTS

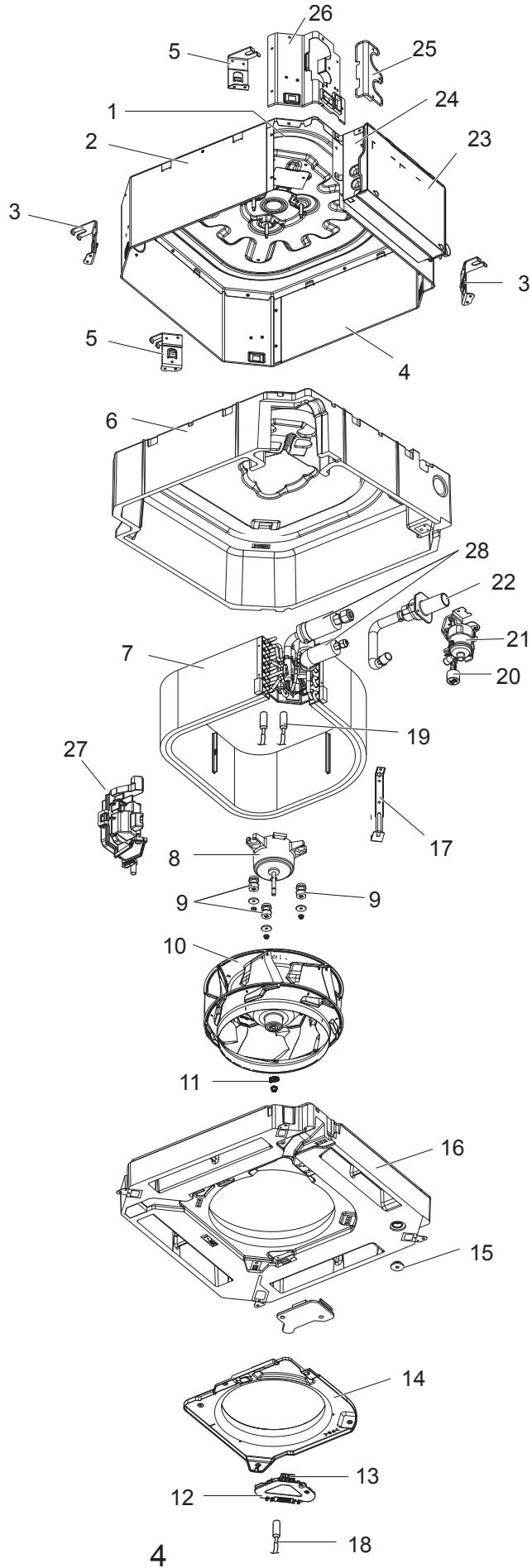


1. The part quantity below indicates the required number of pieces per unit.  
 2. The circled No. indicates that the part is not shown in the figure.

No.	Parts No.	Parts Name	SLZ-AF09NL-U1	SLZ-AF12NL-U1	SLZ-AF15NL-U1	SLZ-AF18NL-U1	Wiring Diagram Symbol	Remarks
1	E27 78R 375	TERMINAL BLOCK	1	1	1	1	TB4	3P (S1, S2, S3)
2	E27 156 375	TERMINAL BLOCK	1	1	1	1	TB5	2P (1, 2)
3	E27 1D1 447	INDOOR CONTROLLER BOARD	1	1	1	1	I.B	
4	E27 81T 289	BOARD CASE	1	1	1	1		

# FUNCTIONAL PARTS

- SLZ-AF09NL-U1
- SLZ-AF12NL-U1
- SLZ-AF15NL-U1
- SLZ-AF18NL-U1



## FUNCTIONAL PARTS

1. The part quantity below indicates the required number of pieces per unit.
2. The circled No. indicates that the part is not shown in the figure.

No.	Parts No.	Parts Name	SLZ-AF09NL-U1	SLZ-AF12NL-U1	SLZ-AF15NL-U1	SLZ-AF18NL-U1	Wiring Diagram Symbol	Remarks
1	E27 C12 290	BASE	1	1	1	1		
2	E27 C13 124	DRUM-B	1	1	1	1		
3	E27 C12 808	LEG-1	2	2	2	2		
4	E27 C12 124	DRUM-A	1	1	1	1		
5	E27 C12 809	LEG-2	2	2	2	2		
6	E27 K10 092	INNER COVER ASSY	1	1	1	1		
7	E27 1D1 620	INDOOR HEAT EXCHANGER	1	1				
7	E27 1D3 620	INDOOR HEAT EXCHANGER			1	1		
8	E27 K05 300	INDOOR FAN MOTOR	1	1	1	1	MF	
9	E27 C12 105	MOTOR MOUNT	3	3	3	3		3pcs/set
10	E27 C12 502	TURBO FAN	1	1	1	1		
11	E27 K05 097	SPL WASHER & NUT	1	1	1	1		
12	E27 C12 091	CONNECTOR COVER	1	1	1	1		
13	E27 C12 090	CONNECTOR BOX	1	1	1	1		
14	E27 C12 509	BELL MOUTH	1	1	1	1		
15	E27 436 524	DRAIN PLUG	1	1	1	1		
16	E27 C12 700	DRAIN PAN	1	1	1	1		
17	E27 C12 648	COIL SUPPORT	1	1	1	1		
18	E27 C12 308	ROOM TEMP.THERMISTOR	1	1	1	1	TH1	
19	E27 C12 307	PIPE TEMP.THERMISTOR /LIQ/GAS	1	1	1	1	TH2, TH5	combined type
20	E27 11W 145	FLOAT SWITCH	1	1	1	1	FS	
21	E27 81T 355	DRAIN PUMP	1	1	1	1	DP	
22	E27 C12 702	DRAIN HOSE	1	1	1	1		
23	E27 K05 088	CONTROL BOX COVER	1	1	1	1		
24	E27 80U 777	ELECTRICAL CONTROL BOX	1	1	1	1		
25	E27 C13 006	COVER (DRUM-U)	1	1	1	1		
26	E27 45U 006	COVER (DRUM)	1	1	1	1		
27	E27 1D1 391	R454B SENSOR	1	1	1	1		
28	E27 M09 910	PIPE COVERS	1	1	1	1		
29	E27 M08 097	WASHER	4	4	4	4		4+4pcs/set
30	E27 580 704	DRAIN SOCKET	1	1	1	1		

**2****OPTIONAL PARTS**

<b>Parts name</b>	<b>Parts No.</b>
3D i-see Sensor corner panel	PAC-SF1ME-E
Signal receiver corner panel	PAR-SF9FA-E
Wired remote controller	PAR-42MAAUB, PAC-YT53CRAU
Wireless remote controller	PAR-SL101A-E, PAR-FL32MA-E
System control interface	MAC-333IF-E
MA & contact terminal interface	MAC-397IF-E
Wi-Fi interface	MAC-557IF-E
Remote operation adapter	PAC-SF40RM-E
Remote sensor	PAC-SE41TS-E
Remote On/Off Adapter	PAC-SE55RA-E, PAC-715AD
Multiple remote controller adapter	PAC-SA88HA-E, PAC-725AD
USNAP interface	PAC-WHS01UP-E
IT expander	PAC-WHS01IE-E
Equipment controller	PAC-WHS01HC-E
Allergy filter	PAC-SK46KF-E
External heater adapter	PAC-YU25HT
Power supply interface for alarm kit	PAC-IF55AL-E
Alarm kit	PAC-SL54AL-E

**MITSUBISHI ELECTRIC CORPORATION**

HEAD OFFICE: TOKYO BUILDING, 2-7-3, MARUNOUCHI, CHIYODA-KU, TOKYO 100-8310, JAPAN