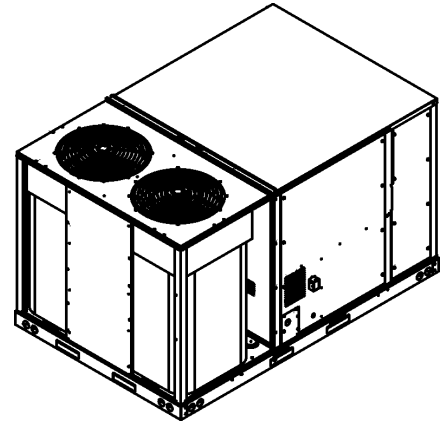


DHG 12.5 Ton Commercial Package Gas Unit

DHG1503DH00001SAA
DHG1503DL00001SAA
DHG1503DM00001SAA
DHG1504DH00001SAA
DHG1504DL00001SAA
DHG1504DM00001SAA
DHG1507DH00001SAA
DHG1507DL00001SAA
DHG1507DM00001SAA



This manual is to be used by qualified technicians only.

Important Information

Index

| | |
|------------------------------|--------|
| Functional Parts List | 3 |
| Illustration and Parts | 4 - 17 |

Views shown are for parts illustrations only, not servicing procedures.

Text Codes:

AR - As Required

NA - Not Available

NS - Not Shown

00000000 - See Note

QTY - Quantity Example (QTY 3) (If Quantity not shown, Quantity = 1)

M - Model Example (M1) (If M Code not shown, then part is used on all Models)

Expanded Model Nomenclature:

| |
|--------------|
| Example |
| M1 - Model#1 |
| M2 - Model#2 |
| M3 - Model#3 |

Daikin Comfort Technologies Manufacturing , L.P. is not responsible for personal injury or property damage resulting from improper service. Review all service information before beginning repairs.

Warranty service must be performed by an authorized technician, using authorized factory parts. If service is required after the warranty expires, Daikin Comfort Technologies Manufacturing , L.P. also recommends contacting an authorized technician and using authorized factory parts.

Daikin Comfort Technologies Manufacturing , L.P. reserves the right to discontinue, or change at any time, specifications or designs without notice or without incurring obligations.

For assistance within the U.S.A. contact:
Equipment Support
Daikin Comfort Technologies Manufacturing , L.P.
19001 Kermier Road
Waller, Texas 77484
855-770-5678-Telephone
713-863-2382-Facsimile

For assistance outside the U.S.A. contact:
International Division
Daikin Comfort Technologies Manufacturing , L.P.
19001 Kermier Road
Waller, Texas 77484
713-861-2500-Telephone
713-863-2382-Facsimile

Functional Parts

Part No: **Description:**

| | |
|---------------|--|
| 0130M00913 | AUXILLARY SWITCH (QTY 2) |
| 0150L00003 | BLADE-FAN 22" ALUM. CCW 30 DEG (QTY 2) |
| 0163L00006 | BURNER BECKETT |
| 0130L00164 | CLASS CC FUSE 5A (M7, M8, M9) |
| YP61K1TTFEASH | COMPRESSOR (M7, M8, M9) |
| YP61K1TTFDASH | COMPRESSOR (M4, M5, M6) |
| YP61K1TTF5ASH | COMPRESSOR (M1, M2, M3) |
| CONT2P030024D | CONT, 2 POLE, 30 AMP, 24VAC |
| CONT2P030024D | CONT, 2 POLE, 30 AMP, 24VAC |
| CONT3P030024D | CONT, 3 POLE, 30 AMP, 24VAC (QTY 3) |
| 0130M00178 | DPDT RELAY 24VAC (QTY 3) |
| 0130F00010 | FLAME SENSOR |
| 0151L00000 | GAS VALVE MANIFOLD 36H |
| 0130L00251 | IGNITOR |
| 20162904 | LIMIT, PRIMARY |
| 20162901 | LIMIT, PRIMARY |
| 10123532 | LIMIT-RESET MAN-GRAY |
| 0131M00917 | MOTOR (M4, M5, M6) |
| 0131M00905 | MOTOR (M1, M2, M3, M7, M8, M9) |
| 0131L00125 | MOTOR, BLOWER (M7, M8, M9) |
| 0131L00124 | MOTOR, BLOWER (M4, M5, M6) |
| 0131L00122 | MOTOR, BLOWER (M1, M2, M3) |
| PCBCM301V0001 | PCB CONTROL AIR HANDLER |
| PCBAG123 | PCB IGNITION DSI INTEG |
| 0131L00204 | PROGRAMMED MOTOR CONTROLLER (M3, M6, M9) |
| 0131L00203 | PROGRAMMED MOTOR CONTROLLER (M2, M5, M8) |
| 0131L00272 | PROGRAMMED MOTOR CONTROLLER (M1, M4, M7) |
| 10135604 | RELAY |
| SER2A08012 | SENSATA R32 SENSOR |
| 0130M00730 | SWITCH, HIGH PRESSURE (QTY 2) |
| 0130M00733 | SWITCH, LOW PRESSURE (QTY 2) |
| 0130M00582 | SWITCH, THERMO (QTY 2) |
| 11112501 | SWITCH-PRESSURE |
| B1370772 | TIME DEALY ICM 180SEC DELA |
| 0130M00669 | TRANSFORMER (M7, M8, M9) |
| 0130M00859 | TRANSFORMER (M1, M2, M3) |
| 0130M00861 | TRANSFORMER (M7, M8, M9) |
| 0130M00858 | TRANSFORMER (M4, M5, M6) |
| 0130M00860 | TRANSFORMER (M7, M8, M9) |
| 0130M00862 | TRANSFORMER (M4, M5, M6) |
| 0131L00120 | VENT MOTOR |
| 0259L02404 | WIRE HARENESS ASSEMBLY (M7, M8, M9) |
| 0259L02403 | WIRE HARNESS ASSY (M7, M8, M9) |

Expanded Model Nomenclature

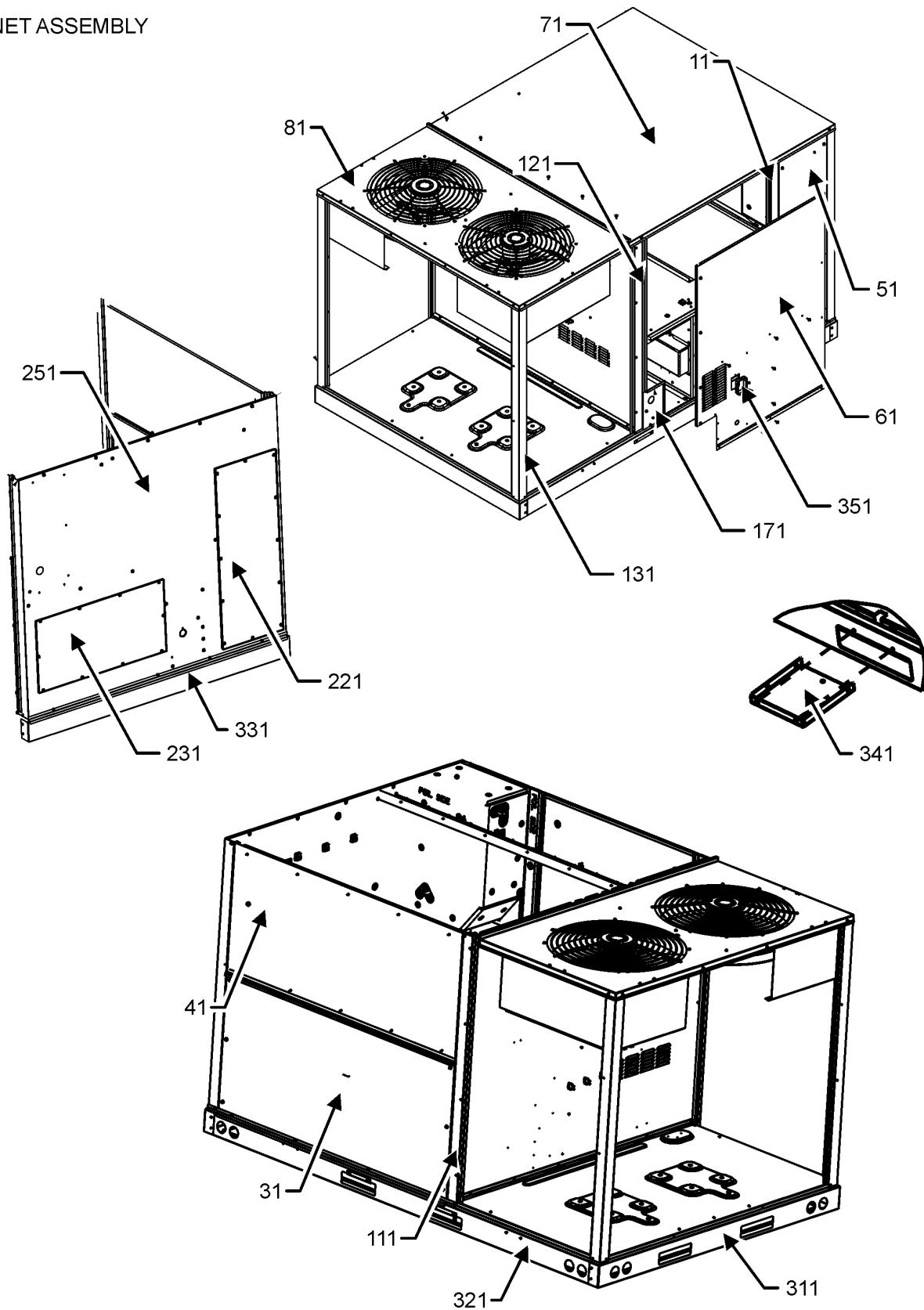
| |
|------------------------|
| M1 - DHG1503DH00001SAA |
| M2 - DHG1503DL00001SAA |
| M3 - DHG1503DM00001SAA |
| M4 - DHG1504DH00001SAA |
| M5 - DHG1504DL00001SAA |
| M6 - DHG1504DM00001SAA |
| M7 - DHG1507DH00001SAA |
| M8 - DHG1507DL00001SAA |
| M9 - DHG1507DM00001SAA |

SPECIAL PARTS

| | |
|-----------|---------------------|
| RP-HXM* | ACCESSORY RP MANUAL |
| RP-FIOPM* | ACCESSORY RP MANUAL |

CABINET ASSEMBLY

CABINET ASSEMBLY



CABINET ASSEMBLY MAY DIFFER FROM WHAT IS SHOWN

CABINET ASSEMBLY

| Ref. Part No: | Part No: | Description: | Ref. Part No: | Part No: | Description: |
|---------------|----------|--------------|---------------|----------|--------------|
|---------------|----------|--------------|---------------|----------|--------------|

Image 1:

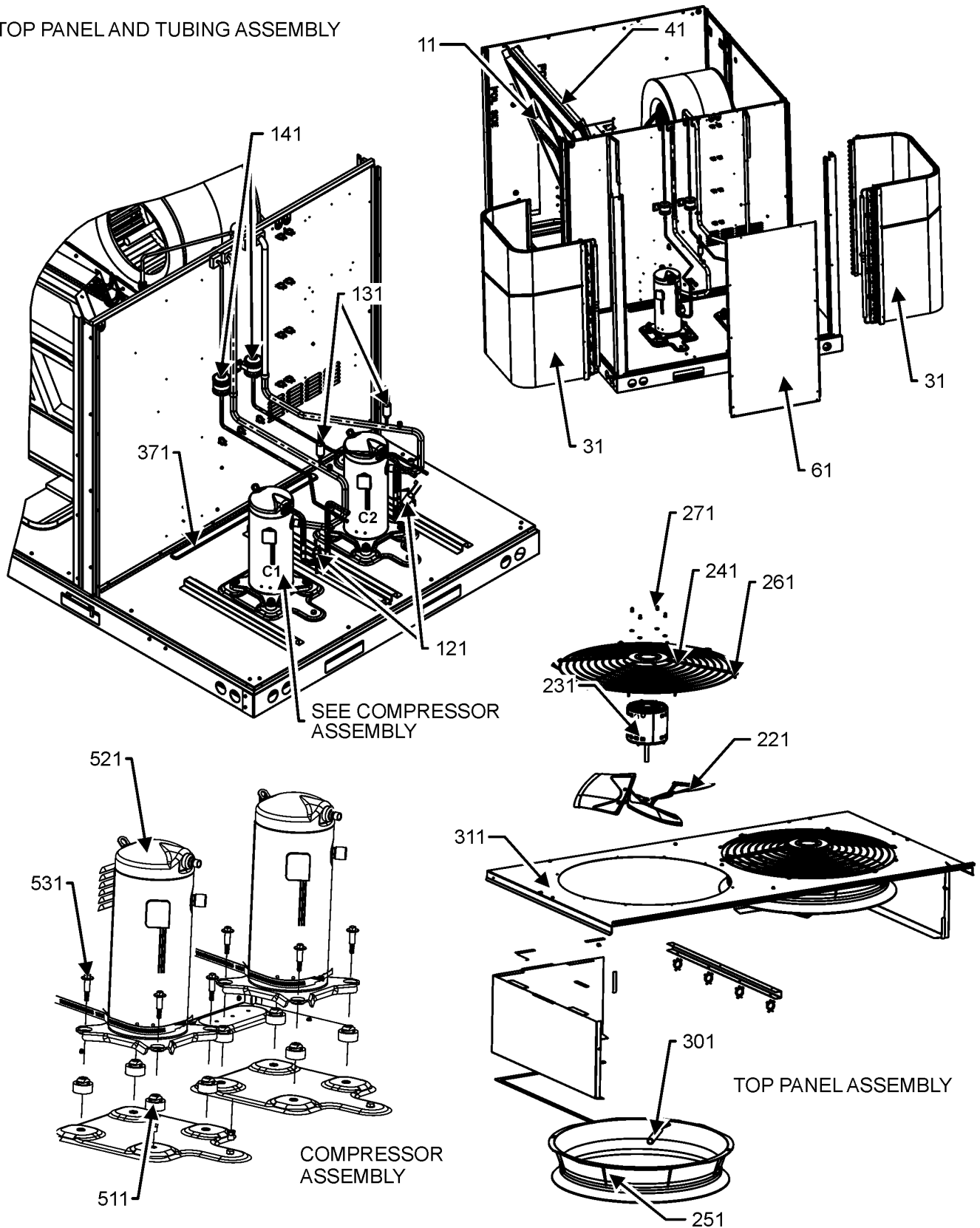
| | | | | | |
|-----|--------------|--------------------------------|--|--|--|
| 11 | 0121L03534SB | PAINTED SIDE POST | | | |
| 31 | 0121L04312SB | PAINTED, ECONOMIZER PANEL | | | |
| 41 | 0121L03173SB | PAINTED, FILTER DOOR | | | |
| 51 | 0121L03052SB | PAINTED CONTROL PANEL | | | |
| 61 | 0121L03963SB | PAINTED, PANEL GAS BLOWER | | | |
| 71 | 0121L04551SB | PAINTED, PANEL, TOP INDOOR | | | |
| 81 | 0121L05353SB | PAINTED, PANEL, TOP OUTDOOR | | | |
| 111 | 0121L02199SB | POST, SIDE | | | |
| 121 | 0121L03470SB | PAINTED SIDE POST | | | |
| 131 | 0121L05619SB | POST, CORNER (QTY 2) | | | |
| 171 | 0121L03464SB | PAINTED, GAS ACCESS PANEL | | | |
| 221 | 0121L03508SB | PAINTED COVER DUCT RETURN | | | |
| 231 | 0121L02921SB | PAINTED COVER DUCT SUPPLY | | | |
| 251 | 0121L05930SB | PAINTED, PANEL, DUCT | | | |
| 311 | 0121L04565 | END RAIL | | | |
| 321 | 0121L04764 | SIDE RAIL (QTY 2) | | | |
| 331 | 0121L05103 | RAIL, END | | | |
| 341 | 0121L03727 | BRACKET-FORK BOARD (QTY 4) | | | |
| 351 | 0121L03481SB | PAINTED BRKT FLUE COLLAR | | | |
| NS | 0141L00084 | BOARD FORK (QTY 2) | | | |
| NS | 0121L04612SB | PAINTED COVER-DISC SWITCH | | | |
| NS | 0121L03958SB | PAINTED, DRAIN PAN COVER | | | |
| NS | 0121L03932SB | PNT, CONVENIENCE COVER LT COMM | | | |

Expanded Model Nomenclature

| |
|------------------------|
| M1 - DHG1503DH00001SAA |
| M2 - DHG1503DL00001SAA |
| M3 - DHG1503DM00001SAA |
| M4 - DHG1504DH00001SAA |
| M5 - DHG1504DL00001SAA |
| M6 - DHG1504DM00001SAA |
| M7 - DHG1507DH00001SAA |
| M8 - DHG1507DL00001SAA |
| M9 - DHG1507DM00001SAA |

TOP PANEL AND TUBING ASSEMBLY

TOP PANEL AND TUBING ASSEMBLY



TOP PANEL AND TUBING ASSEMBLY MAY DIFFER FROM WHAT IS SHOWN

TOP PANEL AND TUBING ASSEMBLY

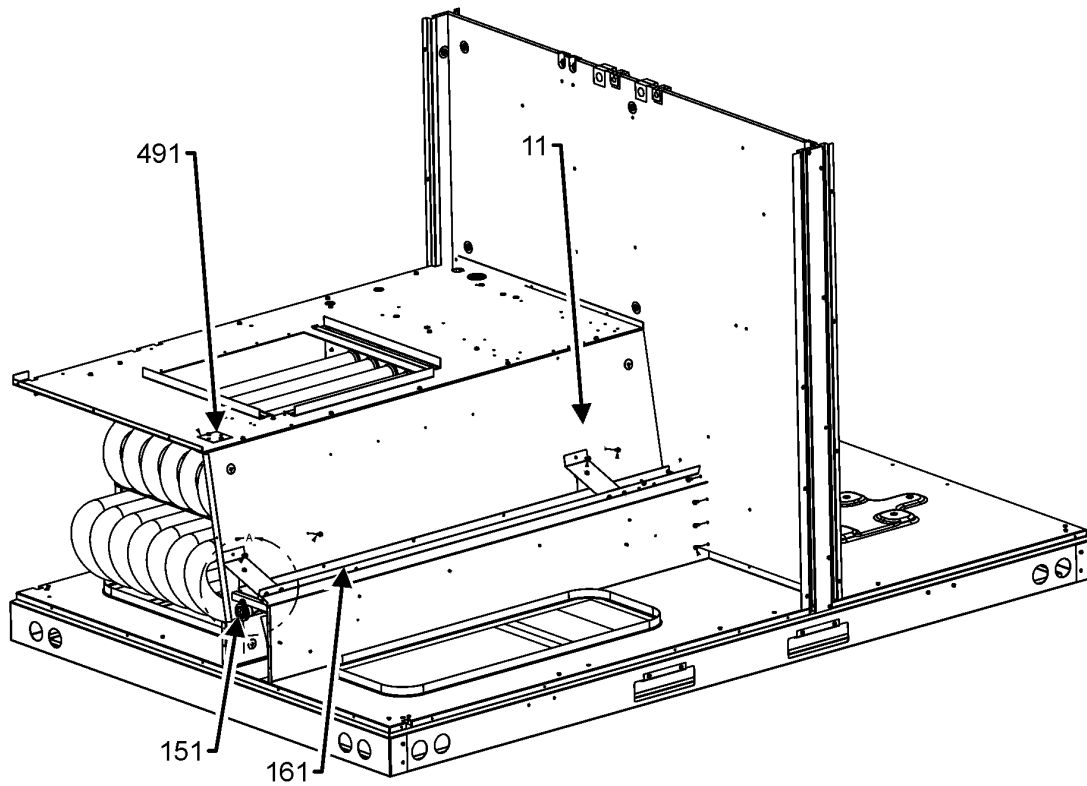
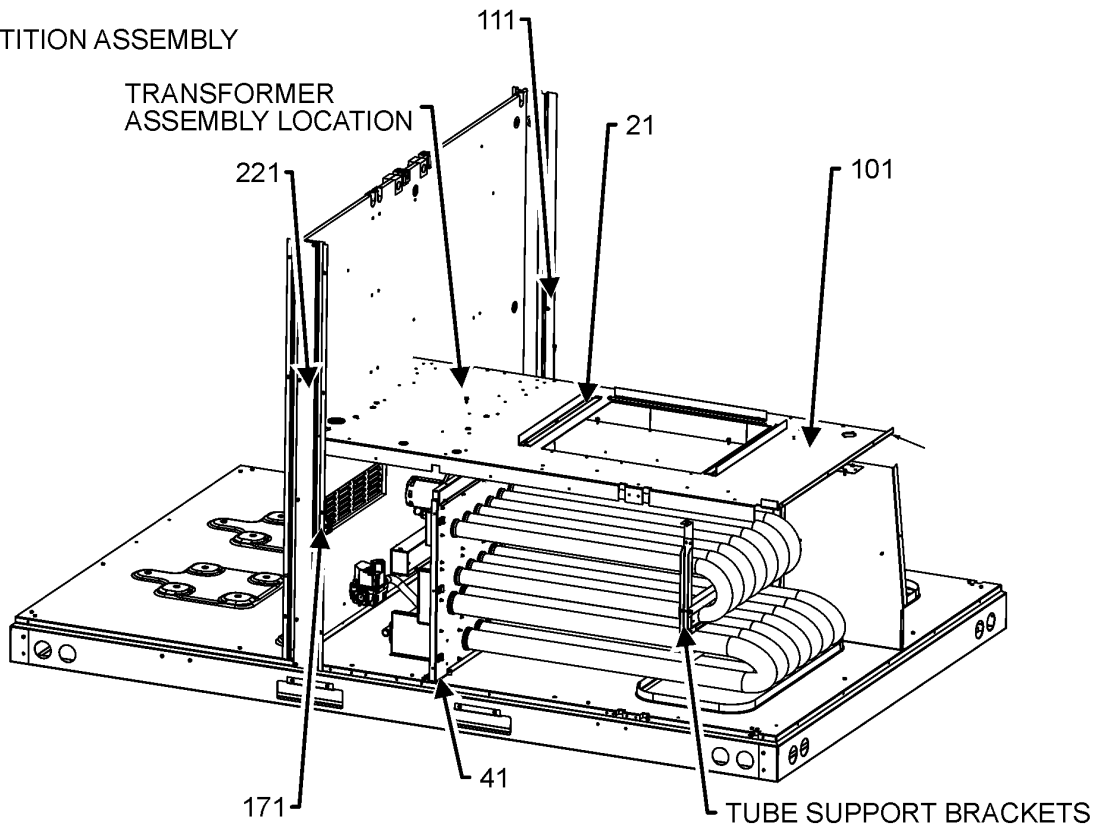
| Ref. Part No: | Ref. Part No: | Description: | Description: |
|-----------------|----------------|--|--------------|
| Image 1: | | | |
| 11 | 0270L02975 | FILTER RACK ASSEMBLY | |
| 31 | 0201L00453 | ASSY., CONDENSER COIL (QTY 2) | |
| 41 | 0202L00737 | EVAP COIL CIRCUITING ASSEMBLY | |
| 61 | 0121L05658SB | PAINTED, PANEL, OUTDOOR | |
| 121 | 0130M00730 | SWITCH, HIGH PRESSURE (QTY 2) | |
| 131 | 0130M00733 | SWITCH, LOW PRESSURE (QTY 2) | |
| 141 | 0162R00056 | FILTER/DRIER-BI-FLOW (QTY 2) | |
| 221 | 0150L00003 | BLADE-FAN 22" ALUM. CCW 30 DEG (QTY 2) | |
| 231 | 0131M00905 | MOTOR (M1, M2, M3, M7, M8, M9) | |
| 231 | 0131M00917 | MOTOR (M4, M5, M6) | |
| 241 | 0152G00000 | FAN GRILLE, RAISED (QTY 2) | |
| 251 | 0161R00048 | MOLDED RING VENTURI 22 (QTY 2) | |
| 261 | 0163M00004 | SCREW #10X3/4 BLK (QTY 16) | |
| 271 | B1393024 | LOCK NUT (M4, M5, M6) | |
| 271 | 0163M00006P | NUT, ACORN 5/16 HEX BLACK (M1, M2, M3, M7, M8, M9) | |
| 301 | 0161R00124 | CONDUIT (M1, M2, M3, M7, M8, M9) | |
| 311 | 0121L05353SB | PAINTED, PANEL, TOP OUTDOOR | |
| 371 | 0121L04115 | CHANNEL | |
| 511 | B1339533 | GROMMET, COMPRESSOR (QTY 8) | |
| 521 | YP61K1TTTF5ASH | COMPRESSOR (M1, M2, M3) | |
| 521 | YP61K1TTFDASH | COMPRESSOR (M4, M5, M6) | |
| 521 | YP61K1TTFEASH | COMPRESSOR (M7, M8, M9) | |
| 531 | B1393740 | COMP BOLT & SLEEVE (QTY 8) | |
| NS | 0160L00267 | AIR FILTER (QTY 4) | |
| NS | 0121R00922 | BRACKET, MOTOR MOUNT (M4, M5, M6) | |
| NS | 20333401 | GROMMET-HORSESHOE (QTY 4) | |
| NS | 0159L00066 | HARNESS, COMP SCROLL (M4, M5, M6, M7, M8, M9) | |
| NS | 0159L00068 | HARNESS, COMP SCROLL (M1, M2, M3) | |
| NS | 0159L00153 | HARNESS, COMP SCROLL (M4, M5, M6, M7, M8, M9) | |
| NS | 0159L00154 | HARNESS, COMP SCROLL (M1, M2, M3) | |
| NS | B1393804 | NYLON LOCKNUT, .31 - 18 (M4, M5, M6) | |
| NS | 0163M00129 | SCREW H2 .31 X 1.52 (M4, M5, M6) | |
| NS | 0130M00582 | SWITCH, THERMO (QTY 2) | |
| NS | 0251L00269 | TXV, & FLOWRATOR ASSY | |
| NS | 0251L00270 | TXV, & FLOWRATOR ASSY | |
| NS | M0272803 | WASHER LOCK (M1, M2, M3, M7, M8, M9) | |
| NS | 0163M00005P | WASHER, BLACK .50OD.218ID (M1, M2, M3, M7, M8, M9) | |

Expanded Model Nomenclature

| |
|------------------------|
| M1 - DHG1503DH00001SAA |
| M2 - DHG1503DL00001SAA |
| M3 - DHG1503DM00001SAA |
| M4 - DHG1504DH00001SAA |
| M5 - DHG1504DL00001SAA |
| M6 - DHG1504DM00001SAA |
| M7 - DHG1507DH00001SAA |
| M8 - DHG1507DL00001SAA |
| M9 - DHG1507DM00001SAA |

PARTITION ASSEMBLY

PARTITION ASSEMBLY



PARTITION ASSEMBLY MAY DIFFER FROM WHAT IS SHOWN

PARTITION ASSEMBLY

| Ref. Part No: | Ref. Part No: | Description: | Description: |
|---------------|---------------|--------------|--------------|
|---------------|---------------|--------------|--------------|

Image 1:

| | | |
|-----|--------------|-------------------------------------|
| 11 | 0121L05380 | PANEL, BLOWER DECK |
| 21 | 0121L05524 | BLOWER SLIDE PLATE (QTY 3) |
| 41 | 0121L02337 | HEAT EXCHANGER RAIL |
| 41 | 0121L03676 | HEAT EXCHANGER RAIL |
| 101 | 0121L05380 | PANEL, BLOWER DECK |
| 111 | 0121L02199SB | POST, SIDE |
| 151 | 0154L00180 | GASKET, DRAIN PAN |
| 161 | 0161L00002 | DRAIN PAN EVAP 7TO12 |
| 171 | 11112501 | SWITCH-PRESSURE |
| 221 | 0121L03470SB | PAINTED SIDE POST |
| 491 | 0121L00321 | COVER SMOKE DETECTOR |
| NS | 0121L02903 | BRACKET, TUBE SUPPORT |
| NS | 0121L02904 | BRACKET, TUBE SUPPORT |
| NS | 0121L04886 | BRACKET, TUBE SUPPORT |
| NS | 0121L02929 | BRACKET,MOUNT SUPPORT TUBE |
| NS | 0130L00164 | CLASS CC FUSE 5A (M7, M8, M9) |
| NS | 0154L00157 | GASKET |
| NS | 0163L00071 | PLUG, DRAIN |
| NS | 0130M00669 | TRANSFORMER (M7, M8, M9) |
| NS | 0259L02404 | WIRE HARENESS ASSEMBLY (M7, M8, M9) |
| NS | 0259L02403 | WIRE HARNESS ASSY (M7, M8, M9) |

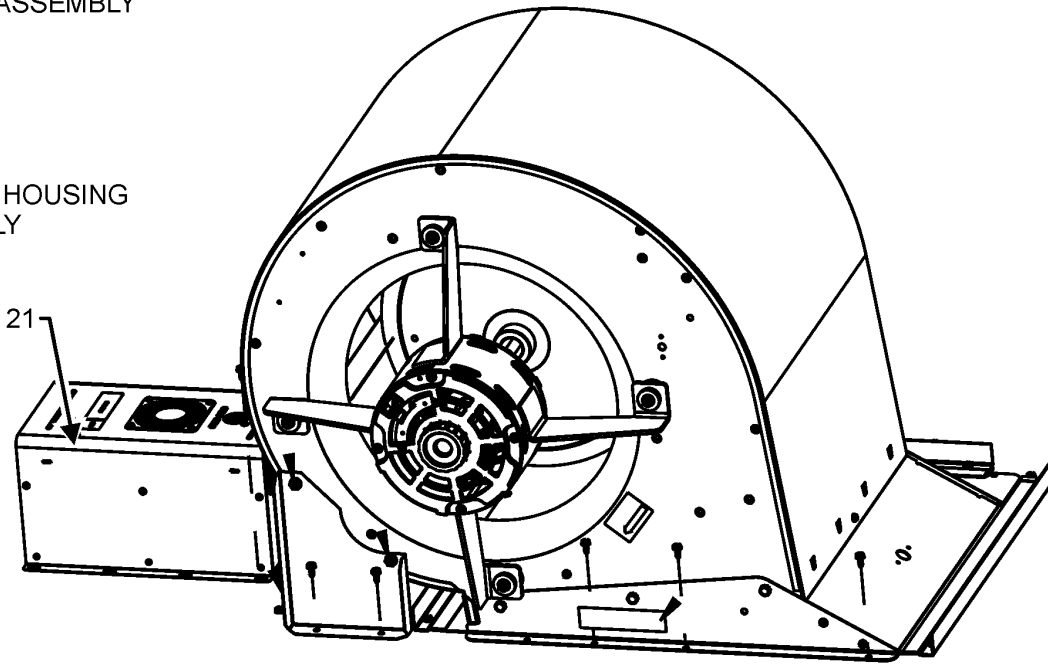
Expanded Model Nomenclature

- | |
|------------------------|
| M1 - DHG1503DH00001SAA |
| M2 - DHG1503DL00001SAA |
| M3 - DHG1503DM00001SAA |
| M4 - DHG1504DH00001SAA |
| M5 - DHG1504DL00001SAA |
| M6 - DHG1504DM00001SAA |
| M7 - DHG1507DH00001SAA |
| M8 - DHG1507DL00001SAA |
| M9 - DHG1507DM00001SAA |

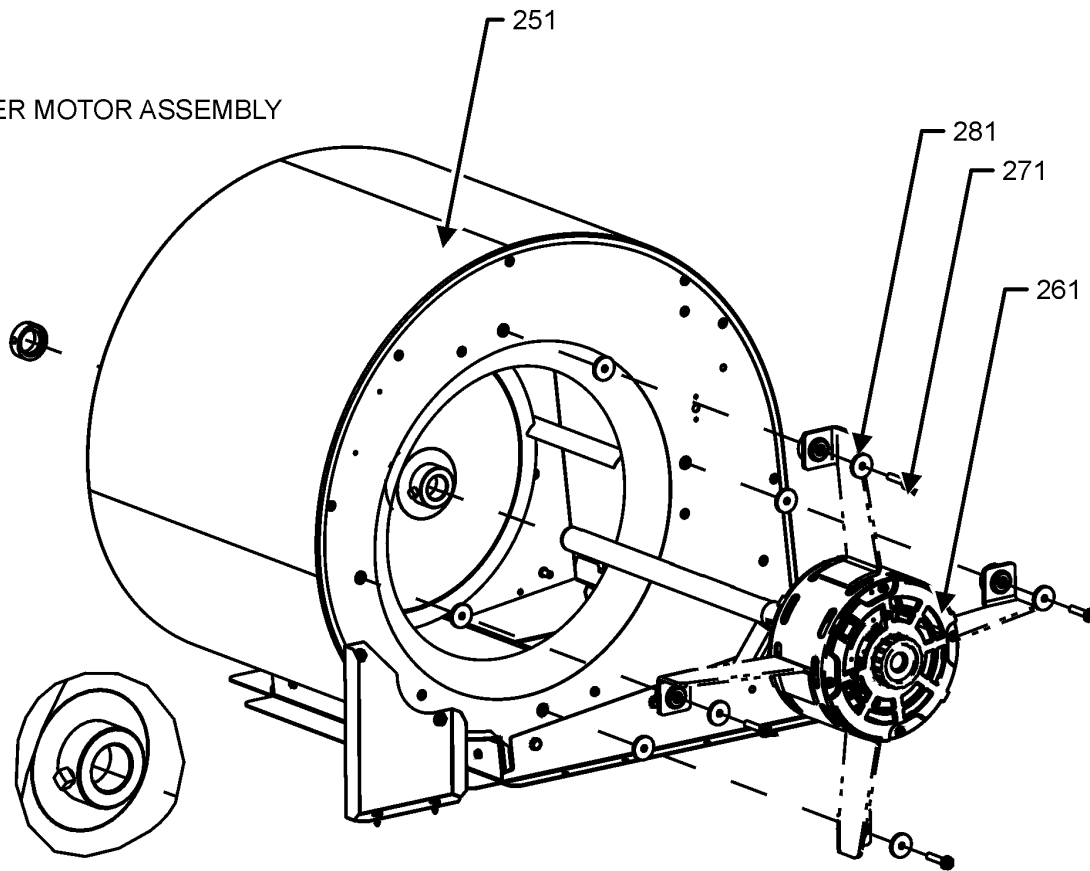
BLOWER ASSEMBLY

BLOWER ASSEMBLY

BLOWER HOUSING ASSEMBLY



BLOWER MOTOR ASSEMBLY



BLOWER ASSEMBLY MAY DIFFER FROM WHAT IS SHOWN

BLOWER ASSEMBLY

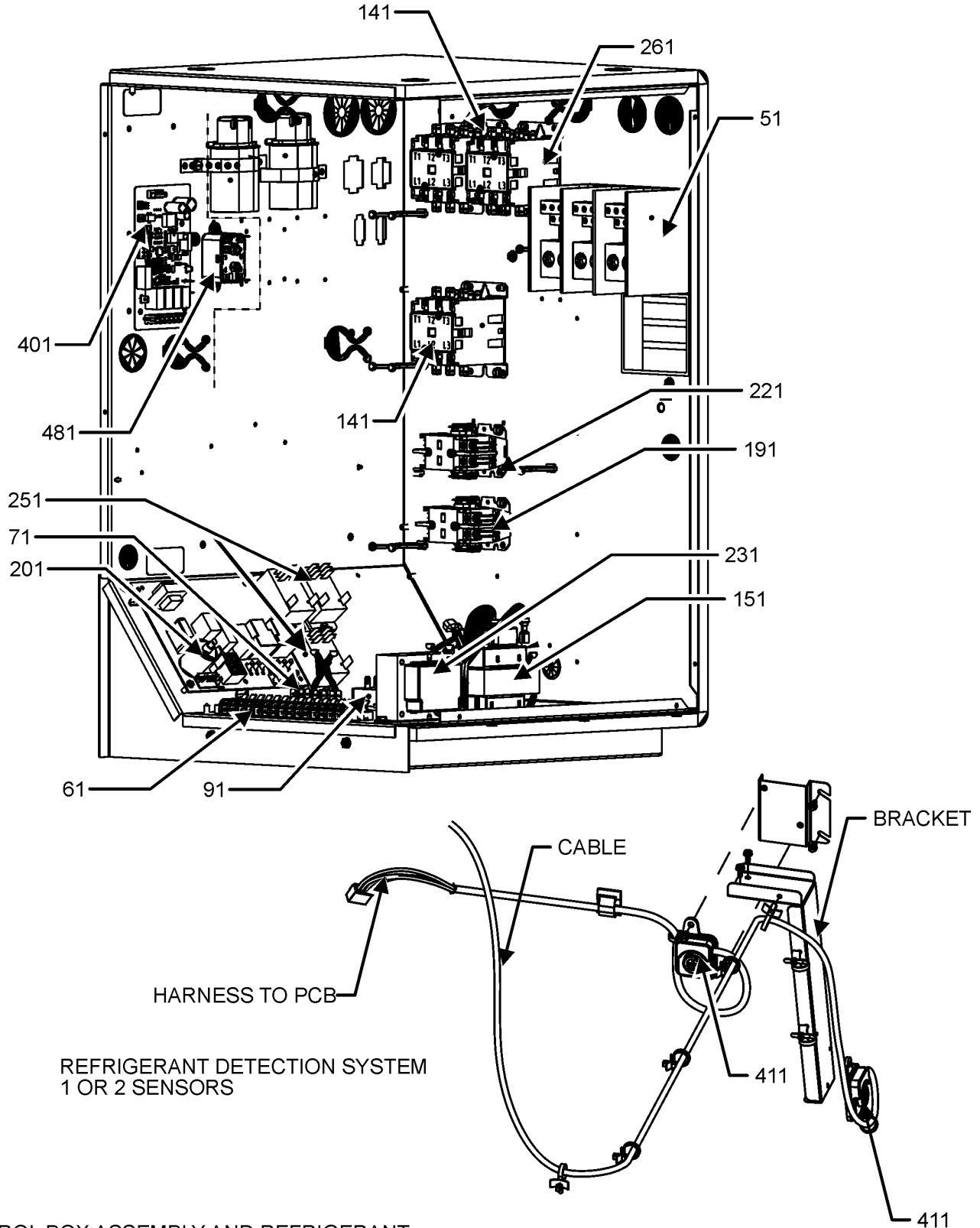
| Ref. Part No: | No: | Description: | Ref. Part No: | No: | Description: |
|-----------------|------------|--|---------------|-----|--------------|
| Image 1: | | | | | |
| 21 | 0131L00203 | PROGRAMMED MOTOR CONTROLLER (M2, M5, M8) | | | |
| 21 | 0131L00204 | PROGRAMMED MOTOR CONTROLLER (M3, M6, M9) | | | |
| 21 | 0131L00272 | PROGRAMMED MOTOR CONTROLLER (M1, M4, M7) | | | |
| 251 | 0271L00148 | ASSY, BLOWER PURCHASED 16X18 | | | |
| 261 | 0131L00122 | MOTOR, BLOWER (M1, M2, M3) | | | |
| 261 | 0131L00124 | MOTOR, BLOWER (M4, M5, M6) | | | |
| 261 | 0131L00125 | MOTOR, BLOWER (M7, M8, M9) | | | |
| 271 | M0250565 | SCREW-TC 1.25" (QTY 4) | | | |
| 281 | B1392918 | WASHER FLAT 1/4IDX1OD (QTY 8) | | | |
| NS | 20162904 | LIMIT, PRIMARY | | | |

Expanded Model Nomenclature

| |
|------------------------|
| M1 - DHG1503DH00001SAA |
| M2 - DHG1503DL00001SAA |
| M3 - DHG1503DM00001SAA |
| M4 - DHG1504DH00001SAA |
| M5 - DHG1504DL00001SAA |
| M6 - DHG1504DM00001SAA |
| M7 - DHG1507DH00001SAA |
| M8 - DHG1507DL00001SAA |
| M9 - DHG1507DM00001SAA |

CONTROL BOX AND REFRIGERANT ASSY

CONTROL BOX ASSEMBLY AND REFRIGERANT DETECTION SYSTEM



CONTROL BOX ASSEMBLY AND REFRIGERANT
DETECTION SYSTEM MAY DIFFER FROM WHAT IS SHOWN

CONTROL BOX AND REFRIGERANT ASSY

| Ref. Part No: | Part No: | Description: | Ref. Part No: | Part No: | Description: |
|---------------|----------|--------------|---------------|----------|--------------|
|---------------|----------|--------------|---------------|----------|--------------|

Image 1:

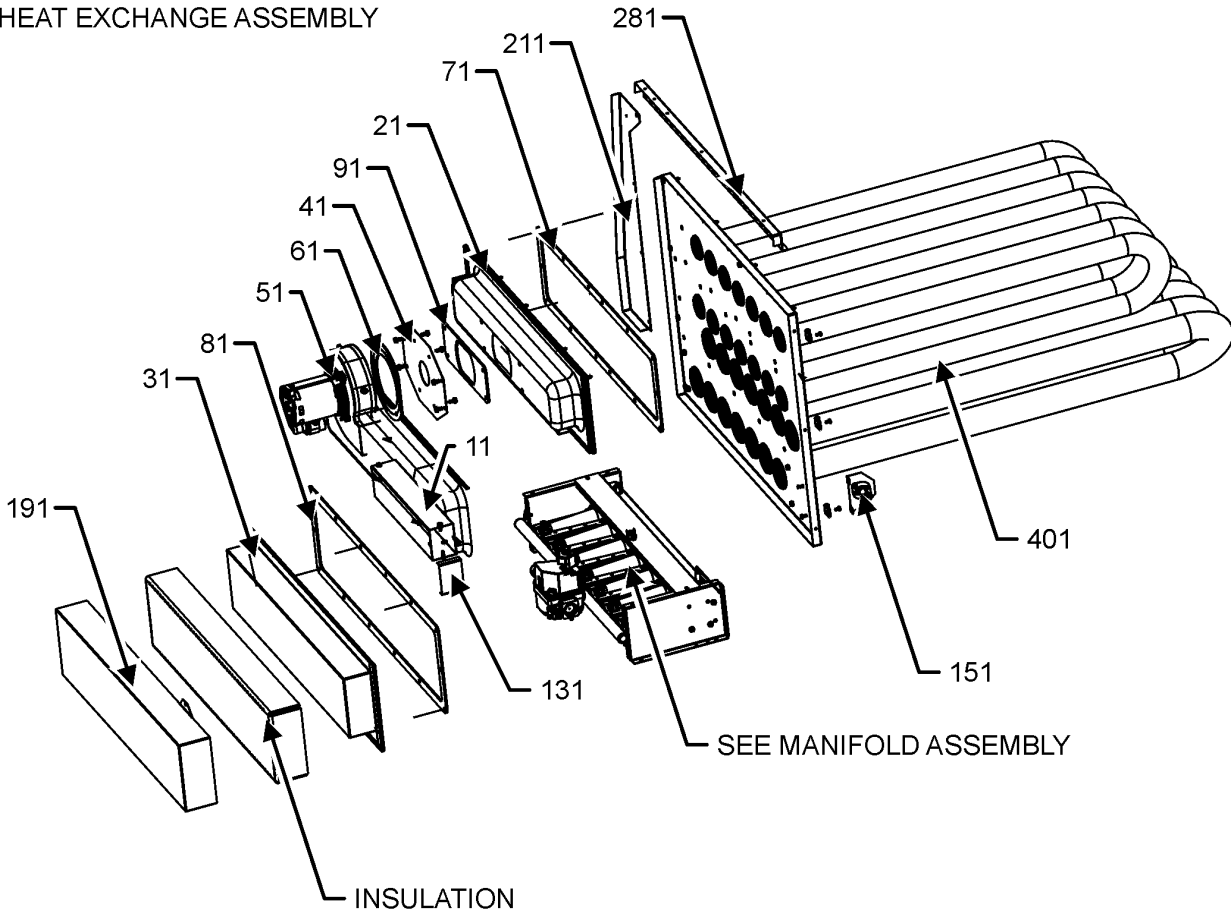
| | | |
|-----|---------------|-------------------------------------|
| 51 | 0130L00217 | POWER,BLOCK |
| 61 | 0130M00038 | TERMINAL BOARD |
| 71 | 802007090 | TERM BOARD |
| 91 | B1370772 | TIME DEALY ICM 180SEC DELA |
| 141 | CONT3P030024D | CONT, 3 POLE, 30 AMP, 24VAC (QTY 3) |
| 151 | 0130M00858 | TRANSFORMER (M4, M5, M6) |
| 151 | 0130M00859 | TRANSFORMER (M1, M2, M3) |
| 151 | 0130M00861 | TRANSFORMER (M7, M8, M9) |
| 191 | CONT2P030024D | CONT, 2 POLE, 30 AMP, 24VAC |
| 201 | PCBAG123 | PCB IGNITION DSI INTEG |
| 221 | CONT2P030024D | CONT, 2 POLE, 30 AMP, 24VAC |
| 231 | 0130M00860 | TRANSFORMER (M7, M8, M9) |
| 231 | 0130M00862 | TRANSFORMER (M4, M5, M6) |
| 251 | 0130M00178 | DPDT RELAY 24VAC (QTY 3) |
| 261 | 0130M00913 | AUXILLARY SWITCH (QTY 2) |
| 401 | PCBCM301V0001 | PCB CONTROL AIR HANDLER |
| 411 | SER2A08012 | SENSATA R32 SENSOR |
| 481 | 10135604 | RELAY |
| NS | 20520901 | STRAP-CAPACITOR (QTY 7) |
| NS | 0259L02282 | WIRE HARNESS ASSY |
| NS | 0259L02449 | WIRE HARNESS ASSY |

Expanded Model Nomenclature

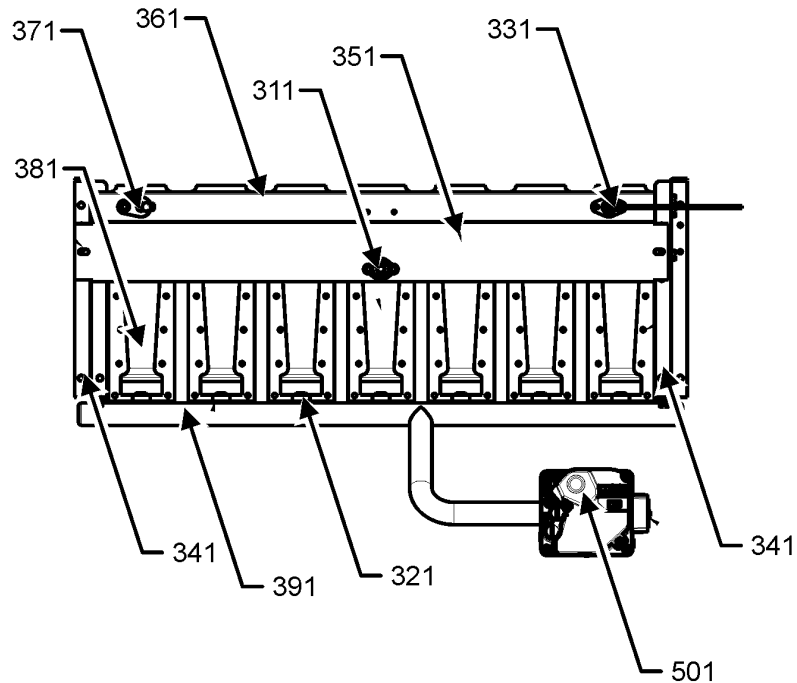
| |
|------------------------|
| M1 - DHG1503DH00001SAA |
| M2 - DHG1503DL00001SAA |
| M3 - DHG1503DM00001SAA |
| M4 - DHG1504DH00001SAA |
| M5 - DHG1504DL00001SAA |
| M6 - DHG1504DM00001SAA |
| M7 - DHG1507DH00001SAA |
| M8 - DHG1507DL00001SAA |
| M9 - DHG1507DM00001SAA |

HEAT EXCHANGE ASSEMBLY

HEAT EXCHANGE ASSEMBLY



MANIFOLD ASSEMBLY



HEAT EXCHANGE ASSY MAY DIFFER FROM WHAT IS SHOWN

HEAT EXCHANGE ASSEMBLY

| Ref. Part No: | Ref. Part No: | Description: | Description: |
|-----------------|---------------|---|--------------|
| Image 1: | | | |
| 11 | 0121L03623 | FLUE HT EXCH (QTY 2) | |
| 21 | 0121L01666 | COLLECTOR BOX | |
| 31 | 0121L01667 | COLLECTOR BOX | |
| 41 | 0121L03193 | PLATE, ORIFICE (M2, M5, M8) | |
| 41 | 0121L03195 | PLATE, ORIFICE (M3, M6, M9) | |
| 41 | 0121L05020 | PLATE, ORIFICE (M1, M4, M7) | |
| 51 | 0131L00120 | VENT MOTOR | |
| 61 | 0154L00141 | GASKET | |
| 71 | 0154L00039 | GASKET | |
| 81 | 0154L00038 | GASKET | |
| 91 | 0154L00040 | GASKET | |
| 131 | 0163L00006 | SCREEN FLUE | |
| 151 | 20162901 | LIMIT, PRIMARY | |
| 191 | 0121L02660 | COVER INSUL BOX COLL LOWER | |
| 211 | 0121L03220 | HEAT EXCHANGER BLOCKOFF | |
| 281 | 0121L03221 | SUPPORT BLOCKOFF HT EXCH | |
| 311 | 10123532 | LIMIT-RESET MAN-GRAY | |
| 321 | 0163L00007 | ORIFICE (M1, M4, M7) | |
| 321 | 0163L00021 | ORIFICE (M3, M6, M9) | |
| 321 | 0163L00195 | ORIFICE (M2, M5, M8) | |
| 331 | 0130L00251 | IGNITOR | |
| 341 | 0121L02998 | BRACKET SUPPORT BURNER (QTY 2) | |
| 351 | 0121L03025 | BRACKET, ROLLOUT, FLAME, BR, 5 (M2, M5, M8) | |
| 351 | 0121L03024 | BRACKET, ROLLOUT, FLAME, BR, 6 (M3, M6, M9) | |
| 351 | 0121L03023 | BRACKET, ROLLOUT, FLAME, BR, 7 (M1, M4, M7) | |
| 361 | 0121L05019 | BRACKET, 7 BURNER (M1, M4, M7) | |
| 361 | 0121L02692 | BRACKET, BURNER, 5 (M2, M5, M8) | |
| 361 | 0121L02691 | BRACKET, BURNER, 6 (M3, M6, M9) | |
| 371 | 0130F00010 | FLAME SENSOR | |
| 381 | 0163L00006 | BURNER BECKETT | |
| 391 | 0163L00144 | MANIFOLD (M1, M4, M7) | |
| 391 | 0163L00145 | MANIFOLD (M3, M6, M9) | |
| 391 | 0163L00162 | MANIFOLD (M2, M5, M8) | |
| 401 | 0270L01355 | ASSY., PANEL PARTITION (M1, M4, M7) | |
| 401 | 0270L01356 | ASSY., PANEL PARTITION (M3, M6, M9) | |
| 401 | 0270L01357 | ASSY., PANEL PARTITION (M2, M5, M8) | |
| 501 | 0151L00000 | GAS VALVE MANIFOLD 36H | |
| NS | 0121L02859 | BRACKET, LIMIT PRIMARY | |
| NS | 0259L01055 | WIRE HARNESS ASSY | |

Expanded Model Nomenclature

| |
|------------------------|
| M1 - DHG1503DH00001SAA |
| M2 - DHG1503DL00001SAA |
| M3 - DHG1503DM00001SAA |
| M4 - DHG1504DH00001SAA |
| M5 - DHG1504DL00001SAA |
| M6 - DHG1504DM00001SAA |
| M7 - DHG1507DH00001SAA |
| M8 - DHG1507DL00001SAA |
| M9 - DHG1507DM00001SAA |

ACCESSORY PARTS LIST

NOTE: NOT ALL OPTIONS AVAILABLE FOR ALL PRODUCTS

FOR ACCESSORY PARTS SEE THE FOLLOWING PART MANUAL

RP-FIOPMC

Ref. Part

No: No:

Description:

Ref. Part

No: No:

Description:

Image 1:

NS RP-FIOPM* ACCESSORY RP MANUAL

NS RP-HXM* ACCESSORY RP MANUAL

Expanded Model Nomenclature

M1 - DHG1503DH00001SAA

M2 - DHG1503DL00001SAA

M3 - DHG1503DM00001SAA

M4 - DHG1504DH00001SAA

M5 - DHG1504DL00001SAA

M6 - DHG1504DM00001SAA

M7 - DHG1507DH00001SAA

M8 - DHG1507DL00001SAA

M9 - DHG1507DM00001SAA